

Synthesizer

Multi Output Indirect/DDS Synthesizer, L-Band

Model: SYN151



Features:

- Two Independent Agile Frequency Outputs
- One Fixed Frequency Output (360 MHz)
- Sub-Hertz Available Step Size
- Low Spurious Levels <-80 dBc
- Extended Temperature Range



Electrical Specifications

Frequency Range:	L-Band ± 100 MHz (RF #1 & RF #2)
Step Size:	<1 Hz
Power On:	<200 ms
Switching Speed:	200 μ s
SSB Phase Noise:	
	Offset
	10 kHz <-70 dBc/Hz
	100 kHz <-70 dBc/Hz
	1 MHz <-100 dBc/Hz
Frequency Range:	360 MHz (RF #3)
Output Power:	11 dBm +/- 2 dBm (RF #1 & RF #2), 0 dBm +/- 1 dBm (RF #3)
Spurious:	<1 MHz, -65 dBc 1 MHz to 80 MHz, -80 dBc
Harmonics:	<-24 dBc
Tuning Control:	7 bit TTL
DC Power:	+15V, 600 mA Max

Environmental Specifications

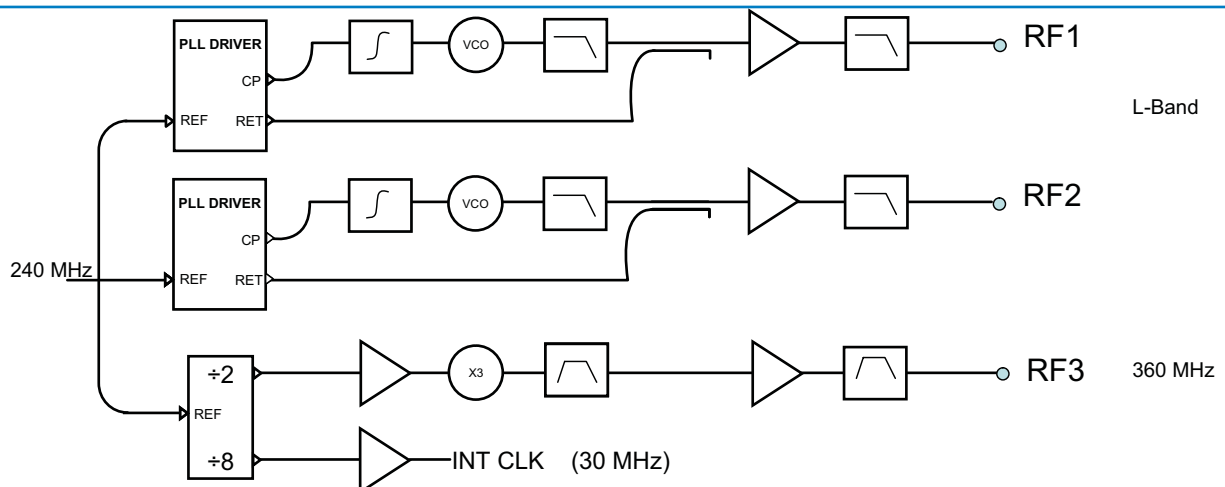
Environment:	Airborne
Survival Temperature:	-54 to +76° C
Operating Temperature:	-54 to +76° C
Radiation:	Exceeds MIL-STD-461 EMI Requirements

Mechanical Specifications

Package:	Aluminum, Chromate Conversion
Size (nominal):	7.4" X 4.5" X 1.285"
Weight (nominal):	2.2 lbs

Connectors

RF:	SMA
Digital /DC:	Filtered 25 pin D Connector (M24308/4-337)



Specifications subject to change without notice.