

# Synthesizers

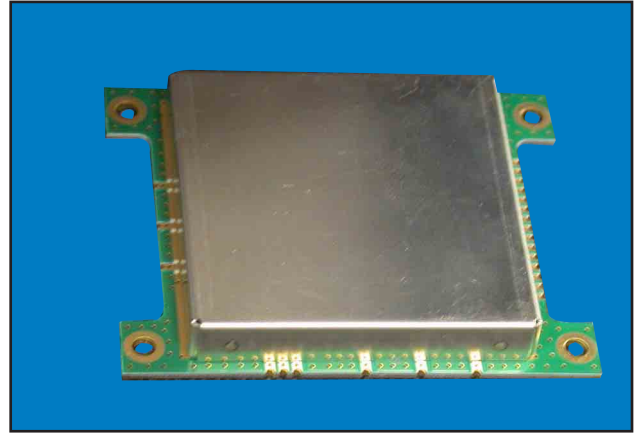
## Surface Mount Synthesizer, 1400 - 2400 MHz

### Model: SYN149



### Features:

- Compact Surface Mount Package
- Active Load Isolation
- Low Phase Noise
- Low Cost Ruggedized Military Surface Mount Package
- Fast Switching Speed
- Internal Voltage Regulation



### Electrical Specifications

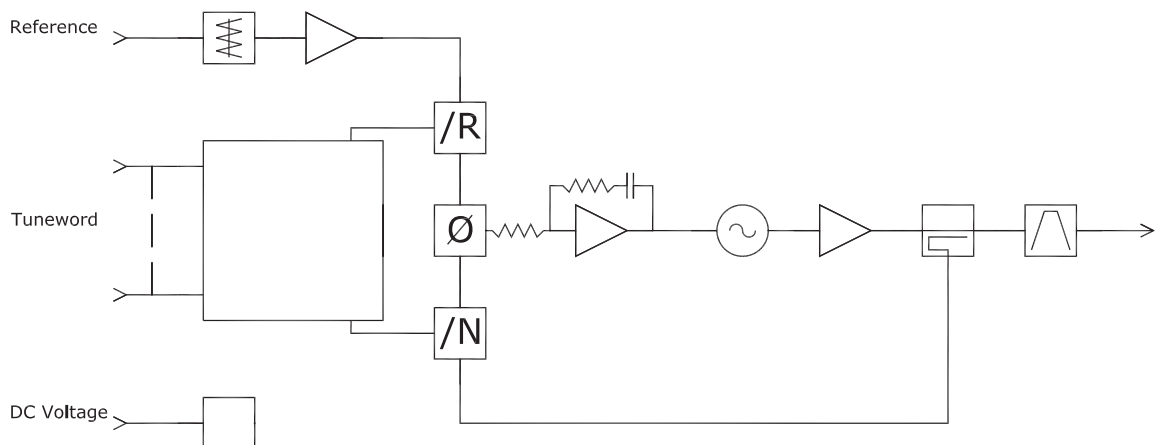
Frequency Range:	1400 - 2400 MHz
Step Size:	5 MHz
Switching Speed:	< 80 $\mu$ sec
Output Power:	+ 7.5 dBm, $\pm$ 2 dBm
SSB Phase Noise:	
<b>Offset</b>	
10 kHz	- 80 dBc/Hz
100 kHz	- 80 dBc/Hz
1 MHz	- 115 dBc/Hz
Reference Signal:	100 MHz @ 0dBm
Spurious:	- 60 dBc, - 65 dBc typical
Harmonics:	- 15 dBc
Tuning Control:	Parallel Tune Word
DC Power:	+ 15 VDC, <250 MA (180 MA typical)

### Environmental Specifications

Operating Temperature:	- 20 to + 85 $^{\circ}$ C
Environment:	Ground

### Mechanical Specifications

Size (nominal):	2.15 x 1.75 x 0.3 inches
Weight (nominal)	0.6 Oz



Specifications subject to change without notice.