

# Synthesizers

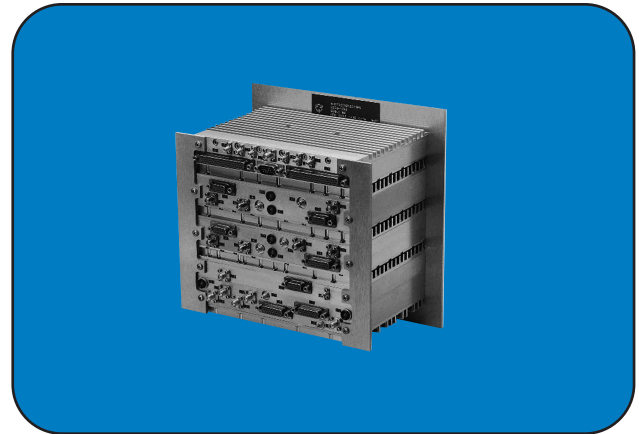
## Small Step Indirect Synthesizer, 1.6 - 2.7 GHz

### Model: SYN091



### Features:

- Small Step Size: 100 Hz
- Low Phase Noise: - 112 dBc/Hz @ 150 kHz offset
- Low Spurious: - 80 dBc
- Iterative Design



### Electrical Specifications

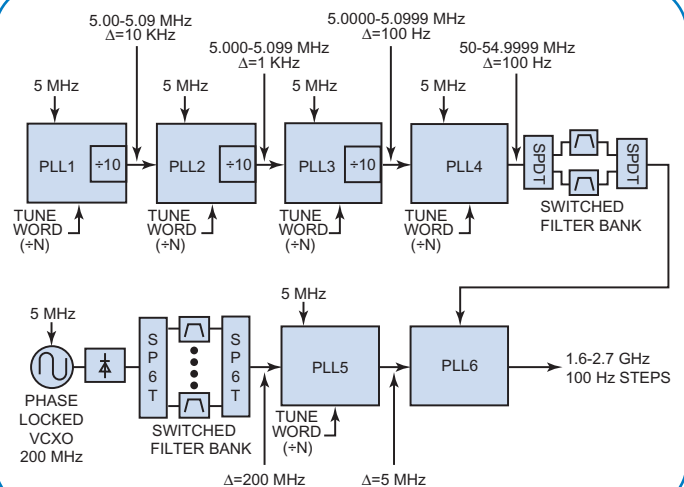
Frequency Range:	1.6 - 2.7 GHz
Step Size:	100 Hz
Switching Speed:	350 $\mu$ s to phase stability
Output Power:	+ 5 dBm $\pm$ 1.5 dB, typical
SSB Phase Noise (dBc/Hz, typical):	
<b>Offset</b>	
10 kHz	- 100
50 kHz	- 102
150 kHz	- 112
Reference Input:	5 MHz @ 0 dBm
Stability:	Follows Input Reference Signal
Spurious:	- 80 dBc, maximum
Harmonics:	- 45 dBc, maximum
Tuning Control:	40 bit Differential
BITE Scheme:	Phase Lock bits & LEDs
DC Power:	$\pm$ 15 V, + 5 V ( 28 W)

### Environmental Specifications

Operating Temperature: 0 to + 70 °C  
Environment: Shipboard

### Mechanical Specifications

Size (excluding connectors): 7.5 x 7.25 x 5.25 inches  
191 x 184 x 133 mm  
Weight: 14 lbs (6.35 kg), max



Specifications subject to change without notice.