

Control Devices

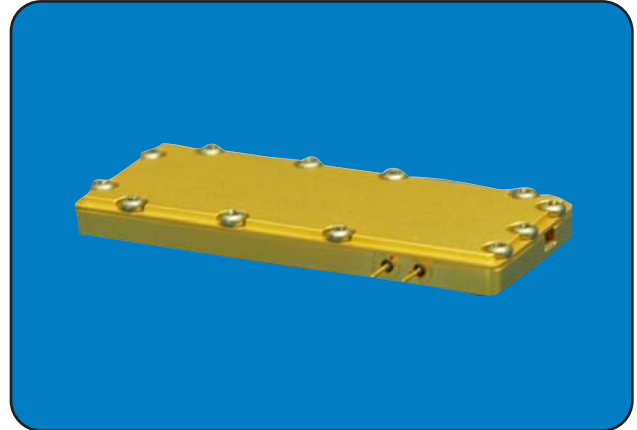
Three Channel Switched Filter Assembly

Model: SWF007



Features:

- Ultra Miniature
- 55 dBr Stopband Rejection @ ± 750 MHz
- Fast Switching Speed <500 nSec
- Active Circuit with 15 dB of Gain
- High Reliability MTBF Design
- Integrated Output Power Detector



Electrical Specifications

Frequency:	13 - 16 GHz
Pass Band Gain:	15 dB Typical
Pass Band VSWR:	2.0:1 Max
Stop Band Rejection Band 1:	1dB BW +750 MHz >55 dBr
	Band 2: 1dB BW +750 MHz >55 dBr
	Band 2: 1dB BW +750 MHz >55 dBr
Switching Speed:	< 500 nSec
Control:	+10 mA Current
RF Output:	P1dB >14 dBm
DC Power:	± 10 VDC < 300 mA

Mechanical Specifications

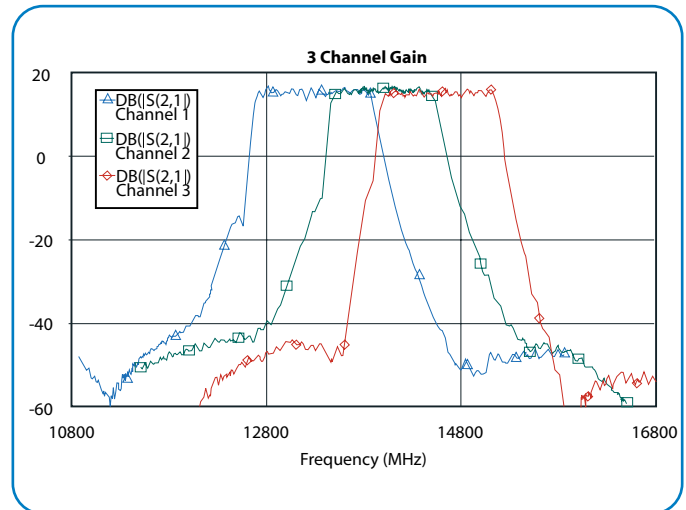
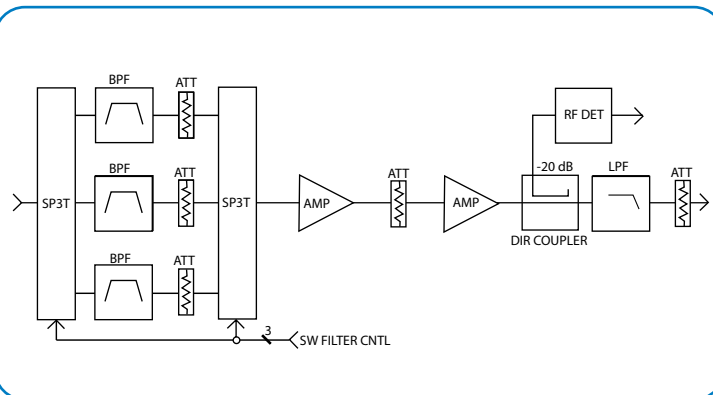
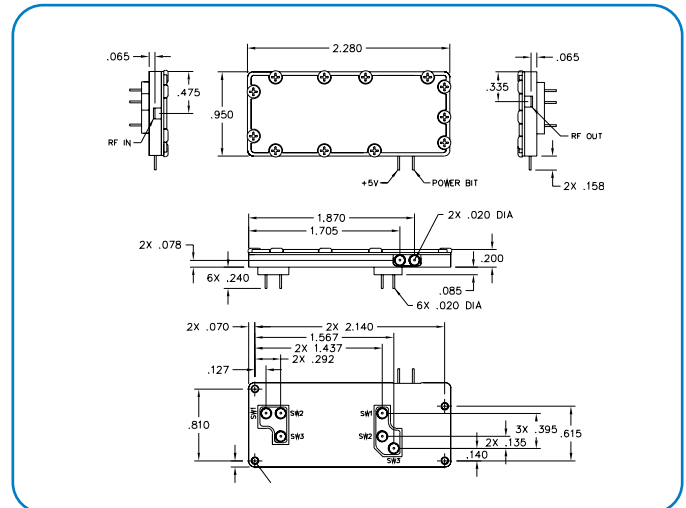
Size:	2.28" X 0.81" X 0.285"
Weight:	< 0.7 oz
RF Connectors:	GCPW Ribbon Connection
DC Connectors:	EMI Filtered Solder Pins

Environmental Specifications

Operating Temperature:	-25 to +85 °C
Environment:	Ground, Mobile

Quality Assurance Provisions

Class H Hybrid Equivelant



Specifications subject to change without notice.