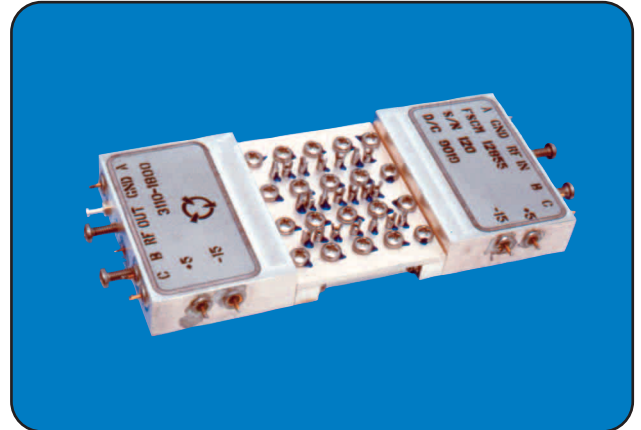


Features:

- Single Pole, Triple Throw
- Good Sideband Rejection: > 60 dBc
- Excellent Switching Speed: Fast as 20 nsec
- Low Profile



Electrical Specifications

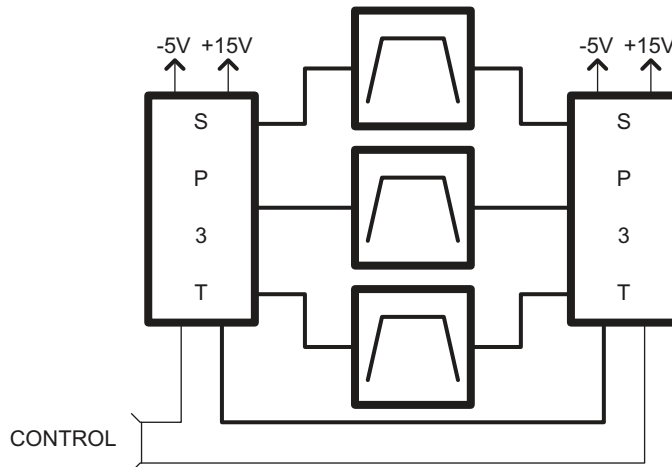
	Band 1	Band 2	Band 3
Freq. Passband:	10 - 12.6 GHz	12.6 - 16 GHz	16 - 20 GHz
60 dB Rejection:	DC - 7 GHz	DC - 8 GHz	DC - 10 GHz
	15 - 26 GHz	19 - 26 GHz	24 - 26 GHz
Insertion Loss:	6 dB, typical		
VSWR:	2:1, typical		
DC Power:	+ 5 VDC @ 60 mA		
	-15 VDC @ 20 mA		

Environmental Specifications

Operating Temperature: - 54 to + 85 °C
Environment: Airborne

Mechanical Specifications

Size (excluding connectors):
3.5 x 1.6 x 0.48 inches
89 x 41 x 12 mm
Weight: 3 oz (85 g), nominal
Connectors: Field Removable SMA



Specifications subject to change without notice.