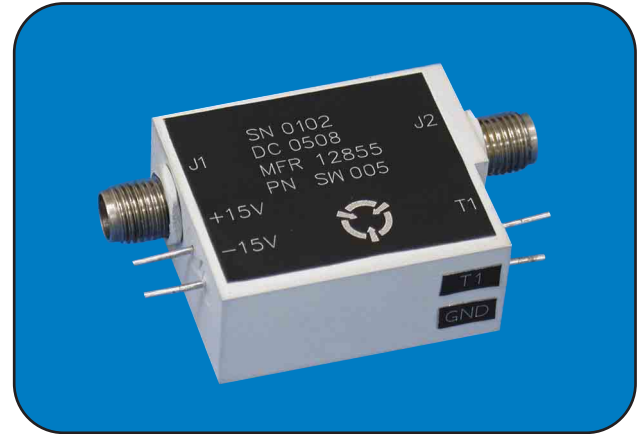


Control Devices
Switch - Limiter
Model: SW005/6



Features:

- Ultra Miniature, Low Profile Design
- Less Than 10 dB Pass Band Insertion Loss
- 50 dB Typical Isolation
- Fast Switching Speed - Less Than 200 nSec.
- Hermetically Sealed, Laser Welded
- Full Military Temperature Range



Electrical Specifications	SW005	SW006
Frequency:	S-C Band	X-Ku Band
Insertion Loss:	2.0dB	3.2dB
VSWR:	2.0:1	2.0:1
Isolation:	50dB	50dB
Switching Speed:	200nS	200nS
Control:	TTL	TTL
RF Power (operating):	+10dBm	+10dBm
RF Power (Pulsed)	100w peak, 2μSec, 1w avg	
Flat Leakage	+20/+27 dBm	
Recovery Time	150 nSec	
DC Power:	+15VDC@100mA	
	-15VDC@60mA	

Mechanical Specifications

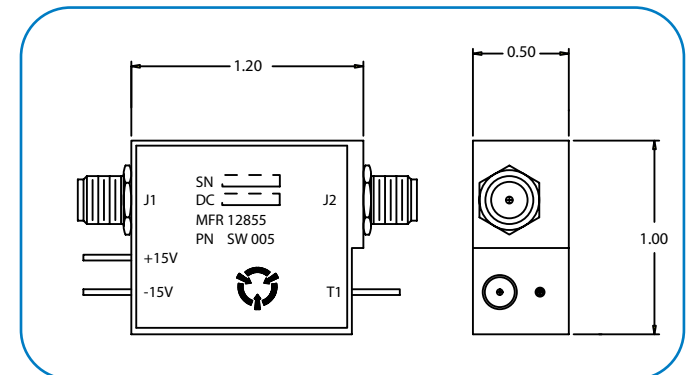
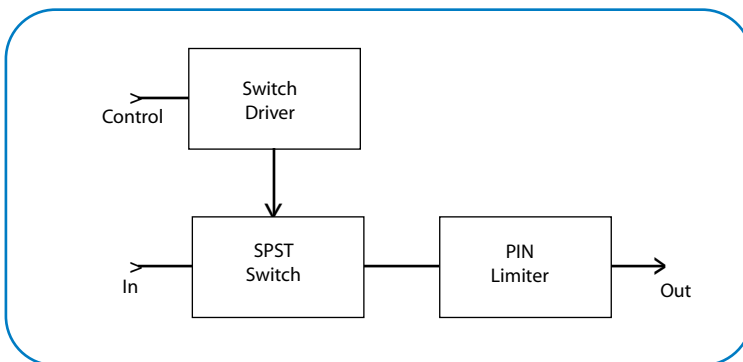
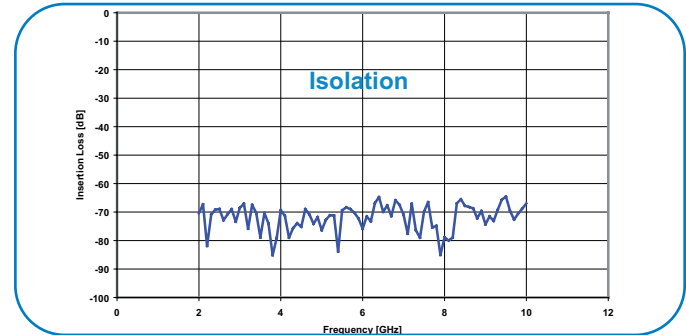
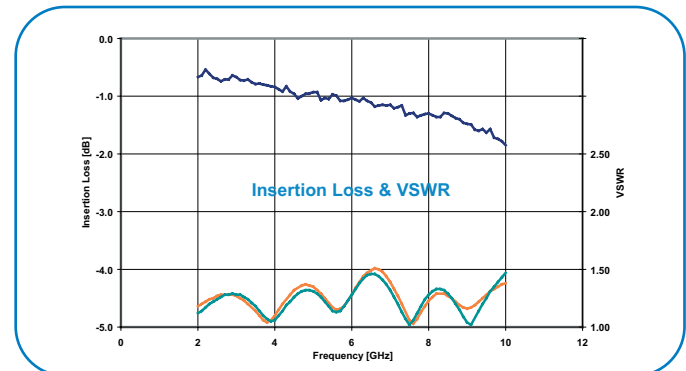
Size:	1.20" x 1.00" x 0.50"
Weight:	70 grams
RF Connectors:	SMA
DC Connectors:	EMI Filtered Pins

Environmental Specifications

Operating Temperature:	-54°C to +115°C
Environment:	Airborne

Quality Assurance Provisions

Hybrid, Class H Equivalent



Specifications subject to change without notice.