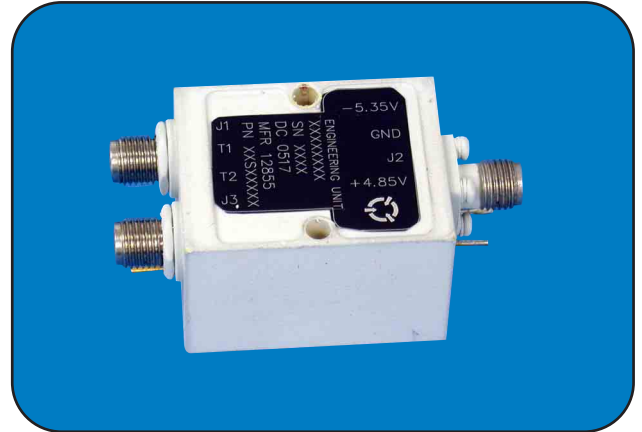


Control Devices  
 SP2T, S-C Band & X - Ku Band  
 Model: SW004



**Features:**

- Miniature Reduced Footprint
- Less Than 2.5 - 3.5 dB Insertion Loss
- 60 dB Typical Isolation
- Fast Switching Speed - Less Than 1.0  $\mu$ Sec
- Hermetically Sealed, Laser Welded
- Full Military Temperature Range
- Non-Reflective Input



**Electrical Specifications**

Frequency:	S-C Band	X-Ku Band
Insertion Loss:	2.5 dB	3.5 dB
VSWR:	2.0:1	2.0:1
Isolation:	60 dB	60 dB
Switching Speed:	1.0 $\mu$ Sec	1.0 $\mu$ Sec
Control:	TTL	TTL
RF Power (operating):	+20 dBm	+20 dBm
DC Power:	+5VDC@80MA +5VDC@80MA	

**Mechanical Specifications**

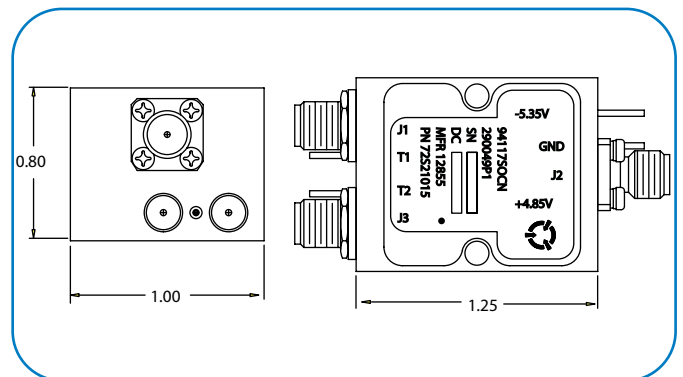
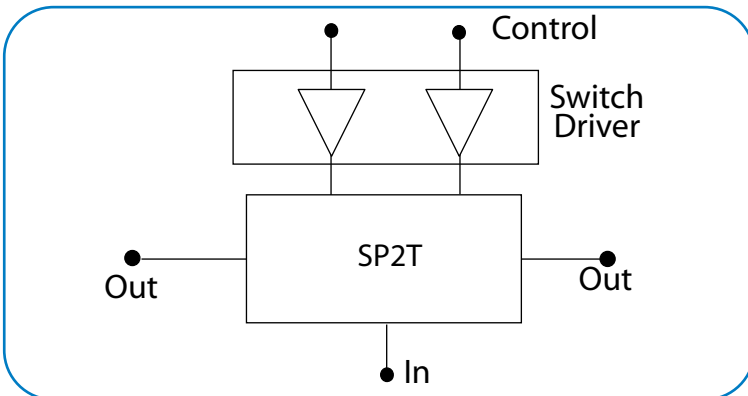
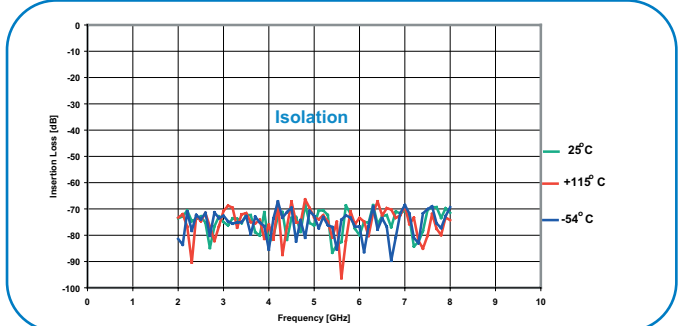
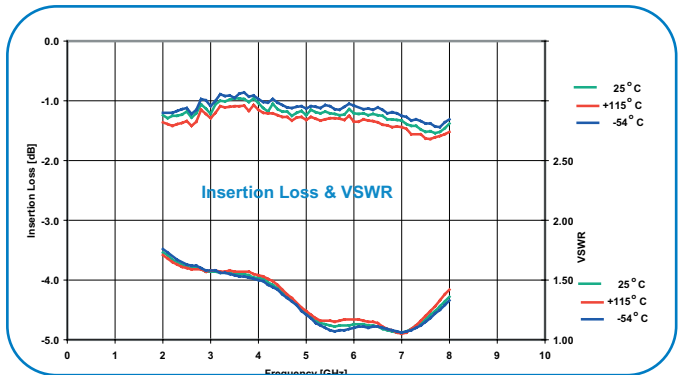
Size:	1.25" x 1.00" x 0.80"
Weight:	60 Grams
RF Connectors:	SMA
DC Connectors:	EMI Filtered Pins

**Environmental Specifications**

Operating Temperature:	-54°C to +115°C
Environment:	Airborne

**Quality Assurance Provisions**

Hybrid, Class H Equivalent



Specifications subject to change without notice.