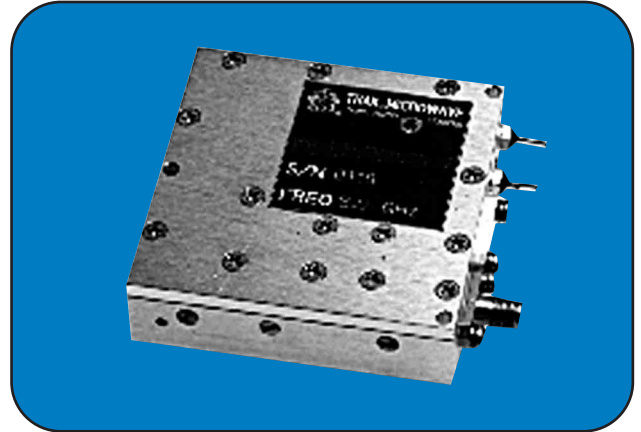


**Features:**

- GaAs FET and Bipolar CROs and DROs
- Voltage Tuned Option Included
- Extended Temperature Range Option
- Rugged Construction



**Electrical Specifications**

Frequency Range:	
CRO and VTCRO:	0.5 to 3 GHz
DRO and VTDRO:	3 to 12 GHz
Output Power:	+ 10 dBm, minimum
Frequency Drift vs. Temp:	
CRO and VTCRO:	20 ppm / °C, typical
DRO and VTDRO:	5 ppm / °C, typical
Frequency Pushing:	5 kHz / volt, typical (± .5 volts)
Frequency Pulling	1 MHz p/p, typical (2:1 load)
Phase Noise:	See Figure 1
Spurious:	- 80 dBc, typical
Harmonics:	- 15 dBc, maximum
Output VSWR:	1.5:1, typical
Supply Voltage:	+ 12 to 18 volts
DC Current:	80 mA, typical

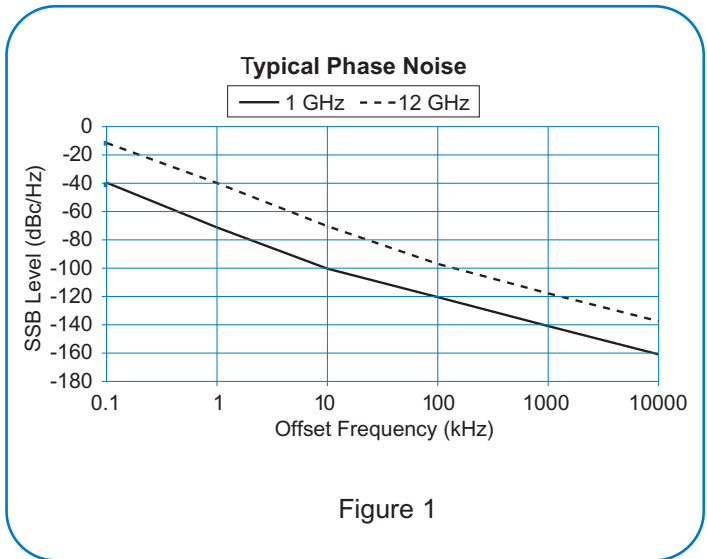
**Environmental Specifications**

Standard Operating Temperature: 0 to + 70 °C

**Mechanical Specifications** See Packages

**Options**

- 002 Extended Operating Temperature: - 54 to + 85 °C



Specifications subject to change without notice.

# Oscillators

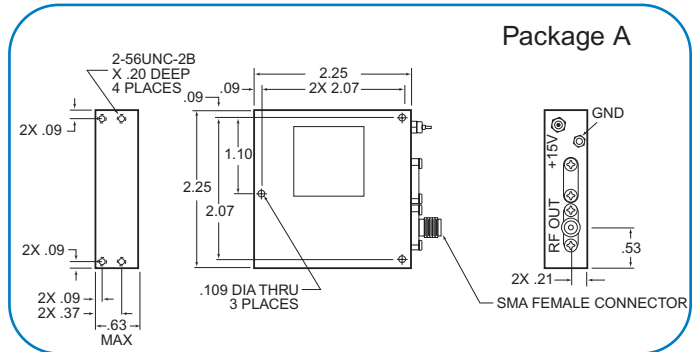
## Catalog, CROs and DROs

### Model: OSC 10-500 & 10-600 Series



#### Standard Unit

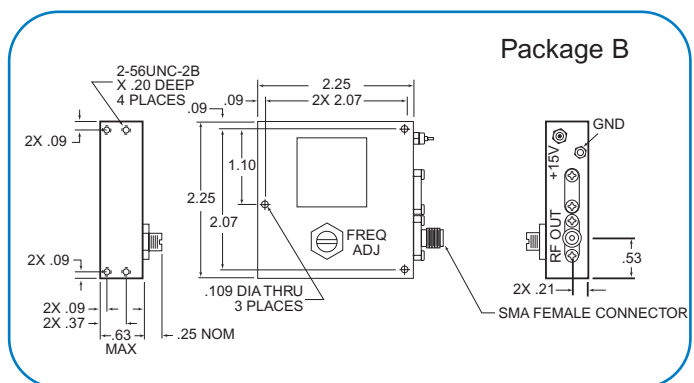
Frequency Range (GHz)	Model Number	Type	Package
0.5 to 1.5	10-500-9000-000	CRO	A
1.5 to 3.0	10-500-9100-000	CRO	A
3.0 to 5.0	10-550-9000-000	DRO	B
5.0 to 8.0	10-550-9100-000	DRO	B
8.0 to 12.0	10-550-9200-000	DRO	B



#### Voltage Tuned Unit<sup>Note 1</sup>

Frequency Range (GHz)	Model Number	Type	Package
0.5 to 1.5	10-600-9000-000	CRO	C
1.5 to 3.0	10-600-9100-000	CRO	C
3.0 to 5.0	10-650-9000-000	DRO	D
5.0 to 8.0	10-650-9100-000	DRO	D
8.0 to 12.0	10-650-9200-000	DRO	D

**Note 1:** Voltage tuning will be sufficient to overcome any temperature drift with an input voltage between + 1 and 9 volts applied to the voltage tune port.



#### Option:

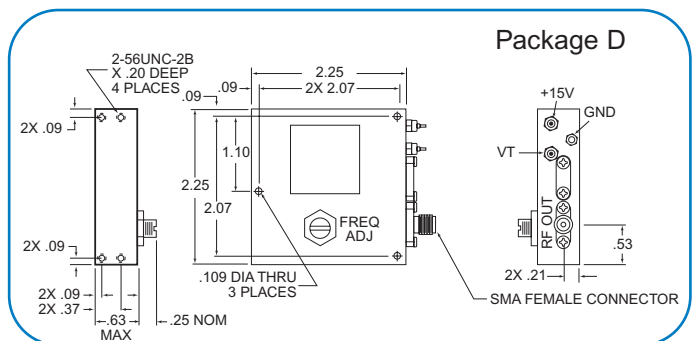
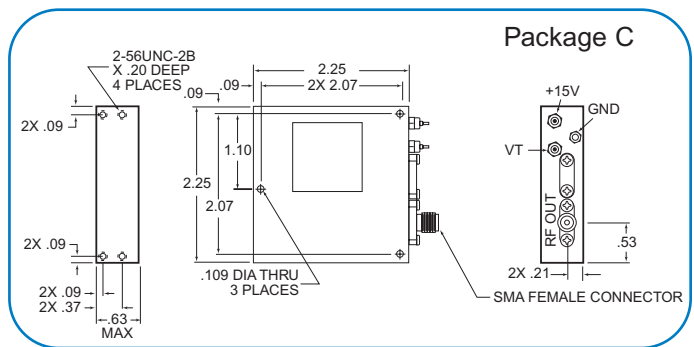
For extended operating temperature range, change the last digit in the model number to "2".

#### Ordering Information:

Specify the model number, option (if required), and the exact operating frequency in GHz to the fourth decimal place.

#### Example:

Model Number 10-650-9000-002, 3.1521 GHz is a voltage tuned unit with extended operating temperature, operating at 3.1521 GHz.



Specifications subject to change without notice.