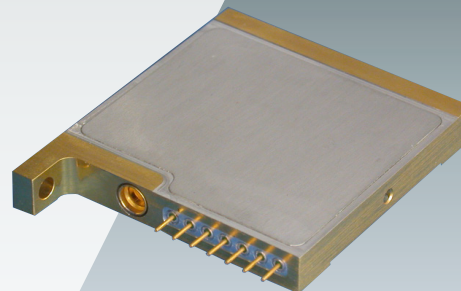


Switch Assembly, Ku-Band

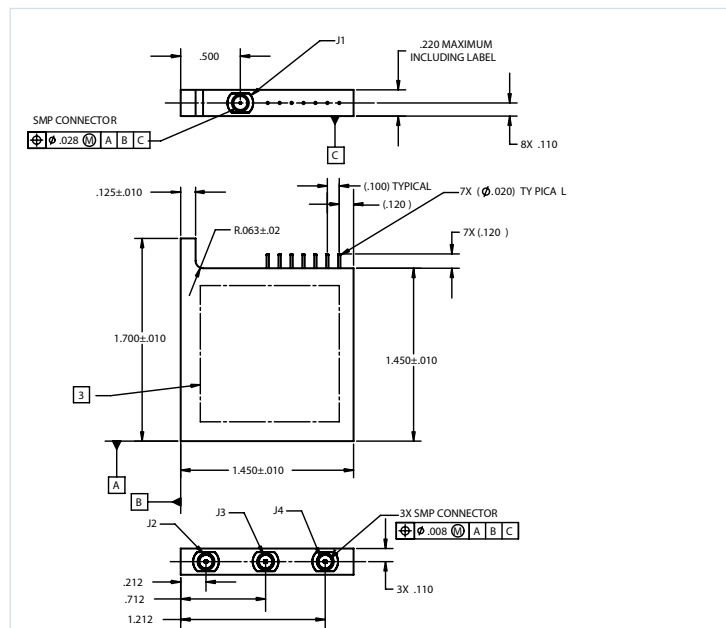
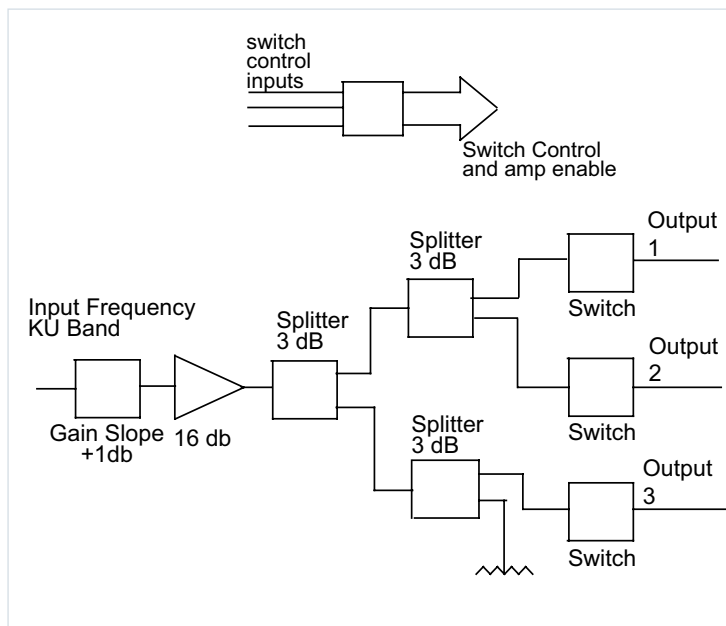
Features

- Controlled Gain Slope
- Compact Outline
- Operating Frequency and Gain Can be Customized
- SMP Connectors



Electrical Specifications

| | |
|--|------------------------|
| Operating Frequency: | Ku-Band |
| Input/Output VSWR: | <1.5:1 |
| Noise Figure @ 25°C: | 6 dB (maximum) |
| Gain @ 14.875 GHz: | 5.2 dB + 0.5 dB @ 25°C |
| Output Port Isolation with all ports on: | 18 dB (minimum) |
| Typical Operating Input RF Power Levels: | -14 to -40 dBm |
| Power Consumption: | < 0.5 Watts |
| SP2T Switch Isolation: | > 30 dB |
| Supply Voltage | +5, -5 VDC, RTN |
| RF Connectors: | SMP Male |
| Module Switching Speed: | 20 nSec Typical |
| Size (WxLxH): | 1.45" X 1.7" X 0.220" |
| Weight: | 35 gms (maximum) |



Specifications subject to change without notice.