

Multi-Function Assemblies

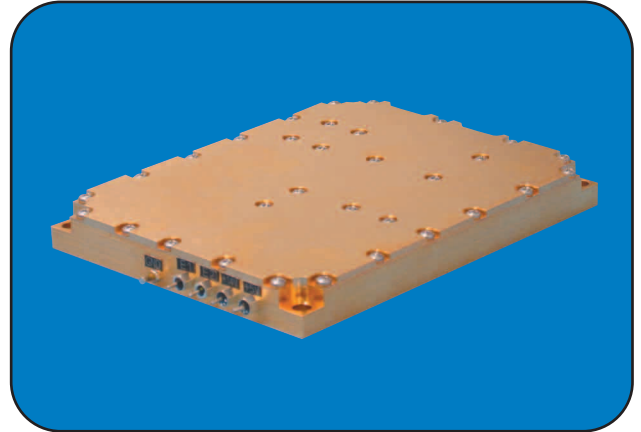
Dual Crystal Based Source Assembly, 1020 & 5100 MHz

Model: MFS127



Features:

- Dual Frequency Output
- RF & DC Enabled Outputs
- Rugged Construction
- Low Phase Noise



Electrical Specifications

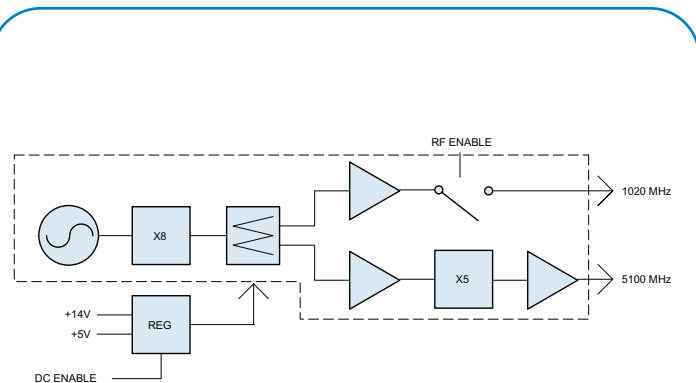
Operating Frequency:	1020 & 5100 MHz		
Frequency Stability, Long Term:	± 25 ppm		
Output Power:	1020 MHz	5100 MHz	
	+ 5 dBm ± 2 dB	+ 13 dBm ± 2 dB	
RF Enabled (1020 MHz):			
Speed:	1 μs		
Isolation	90 dB, typical		
DC Power Enabled			
Logic "0" = ON (Normal Operation)			
Logic "1" = OFF (No DC Current)			
VSWR:	1.5:1 nominal		
SSB Phase Noise:	Offset	1020	5100 MHz
	1 kHz	- 108	- 95 dBc/Hz, typical
	10 kHz	- 118	- 105 dBc/Hz, typical
	100 kHz	- 133	- 120 dBc/Hz, typical
	1 MHz	- 135	- 125 dBc/Hz, typical
Spurious:	- 70 dBc, max		
Harmonics:	- 35 dBc, max		
DC Power:			
+ 14 V	350 mA		
+ 5 V	350 mA		

Environmental Specifications

Operating Temperature: -45 to + 85 °C baseplate
 Environment: Airborne

Mechanical Specifications

Size: 4" x 2" x 1"
 165 x 41 x 32 mm
 Weight: 16 oz. nominal
 450 gms.
 RF Connectors: SMA (F)



Specifications subject to change without notice.