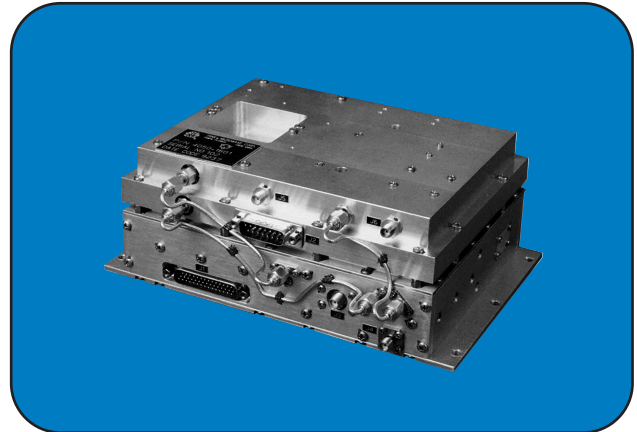


Multi-Function Assemblies  
Multi-Output COHO Assembly, 7.9 - 8.4 GHz  
Model: MFS098



**Features:**

- Four Coherent Outputs
- Low Phase Noise
- Fast Switching Speed: 30  $\mu$ s
- Low DC Power Consumption: < 20 W
- Rugged, Modular Construction



**Electrical Specifications**

	J6 Output	J5 Output	J3 Output	J4 Output	
Frequency Range:	7.9-8.4 GHz	1080 MHz	60 MHz	20 MHz	
Step Size:	10 MHz				
Switching Speed: <small>Note 1</small>	30 $\mu$ s, maximum 18 $\mu$ s, typical				
Output Power (dBm):	+ 16	+ 16	+ 20	+ 10	
Power Flatness (dB):	$\pm$ 1.5	$\pm$ 1.5	$\pm$ 1.5	$\pm$ 1.5	
SSB Phase Noise (dBc/Hz, typical)	<b>Offset</b>				
	100 Hz	- 84	- 105	- 125	- 134
	1 kHz	- 98	- 120	- 140	- 150
	10 kHz	- 105	- 125	- 155	- 160
	100 kHz	- 105	- 125	- 160	- 160
	1 MHz	- 120	- 140	- 160	- 160
Spurious: (dBc, max.)	- 60	- 70	- 90	- 40	
Harmonics: (dBc, max.)	- 70	- 40	- 40	- 40	
Accuracy:	$\pm$ 1 ppm (all outputs)				
Tuning Control:	7 bit TTL, Differential plus Strobe (RS-422A compatible)				
BITE Scheme:	Phase Lock bit (Logic "0" indicates loss of lock.)				
DC Power:	+ 15 V @ 1200 mA, typical				
	- 15 V @ 10 mA, typical				
	+ 5 V @ 100 mA, typical				
Power Consumption:	19 W, typical				

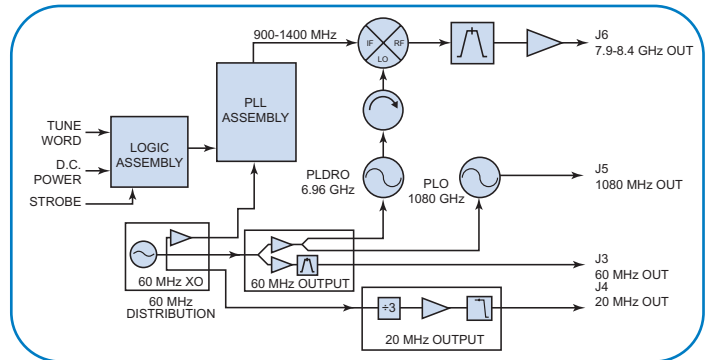
Note 1: Switching speed is 30 microseconds to within 10 kHz of the final frequency.

**Environmental Specifications**

Operating Temp.: - 35 to + 60 °C, baseplate  
Environment: Ground and Airborne

**Mechanical Specifications**

Size: 7 x 5.4 x 3 inches  
178 x 137 x 76 mm  
Weight: 5 lbs 2 oz, nominal (2.3 kg)  
Connectors: Sub-D 44 Pin, 25 Pin and SMA (F)



Specifications subject to change without notice.