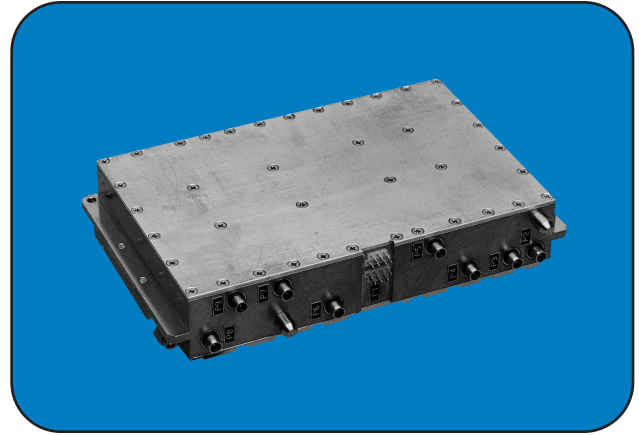


Multi-Function Assemblies
Multi-Output PLCO Assembly, 5 - 160 MHz
Model: MFS023



Features:

- Five Frequency-Coherent Outputs
- Two Phase Locked, AT-Cut Crystal Oscillators
- Voltage Regulation
- Mix and Divide Techniques
- RF Power Level and Phase Lock Detection
- Low Phase Noise: - 132 dBc/Hz @ 100 kHz offset
- Low Spurious: - 80 dBc
- Fast Switching: 300 nsec
- Multiple Built-In-Test Points



Electrical Specifications

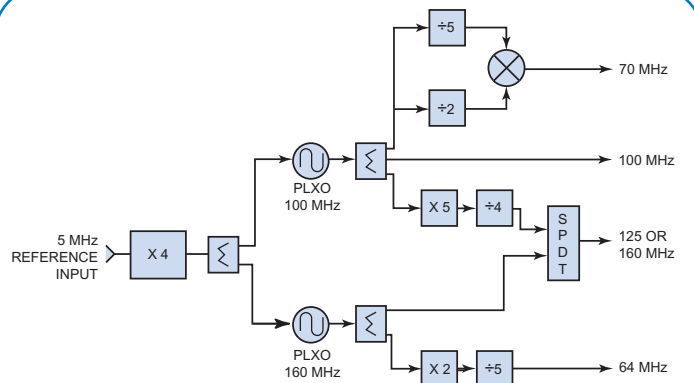
	Input	Output P2	Output P4	Output P5	Output P7	Output P8
Operating Freq. (MHz):	5	64	70	100	125 or 160	
Power Level (dBm):	+ 13	+ 8	+ 0.5	+ 12	+ 4	
Power Level Tolerance (dB):	± 3	± 1.5	± 1.5	± 1.5	± 1	
Switching Speed (nanosec, typ.):	n/a	n/a	n/a	n/a	300	
VSWR (maximum):	1.3:1	1.5:1	1.5:1	1.5:1	1.5:1	
Spurious (dBc, typical):						
DC to 500 MHz	- 65	- 70	- 70	- 75	- 70	
Fc ± 20 MHz	- 65	- 90	- 80	- 85	- 90	
Harmonics (dBc, typical):	- 40	- 45	- 45	- 45	- 45	
SSB Phase Noise (dBc/Hz, maximum, all ports):						
	Offset					
	100 Hz	- 106				
	1 kHz	- 120				
	10 kHz	- 126				
	100 kHz	- 132				
	1 MHz	- 156				
BITE Scheme:	Voltage, RF and Phase Lock Detection					
DC Power:	+ 15 ± 0.8 V @ 550 mA, nominal					
	- 15 ± 0.8 V @ 10 mA, nominal					
Power Consumption:	8.4 W, nominal					

Environmental Specifications

Operating Temperature: 0 to + 70 °C; baseplate
Environment: Ground and Shipboard

Mechanical Specifications

Size (excluding connectors): 5.82 x 3.75 x 1.43 inches
148 x 95 x 36 mm
Weight: 1.9 lbs (862 g), nominal
RF Connectors: Blind Mate
DC Connector: M28754/35-02



Specifications subject to change without notice.