

Converters

SatCom Upconverter, Ku-Band

Model: MFC138



Features

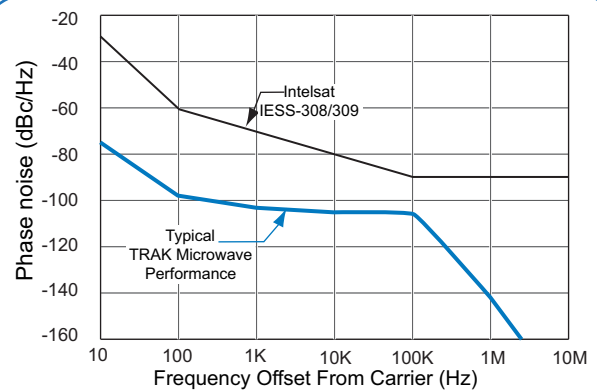
- Ideal for Mil-Satcom Applications
- Very Low Phase Noise
- Good Amplitude & Phase Response
- High Output Compression and IP3
- Summary Alarm
- 20 dB Gain Control, RS485



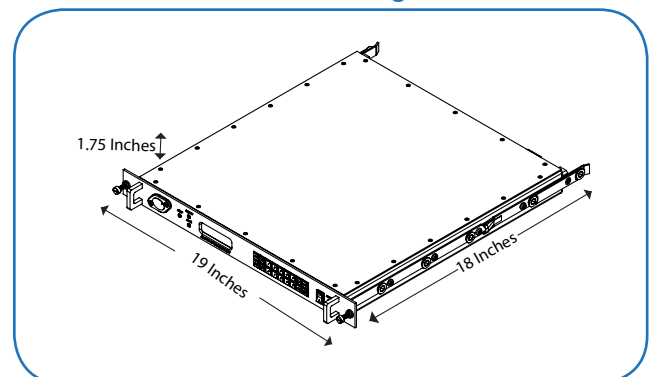
Key Parameter	Requirement
Bandwidth	
Input	0.95 to 1.7 GHz
Output	13.75 to 14.50 GHz
Gain	35 dB
Manual Gain Control	Set gain to 35 dB
Programmable Gain Control	20 dB min
Phase Noise [dBc/Hz]	
10 Hz	-70 dbc
100 Hz	- 90 dBc
1 K	- 100 dBc
10 K	- 102 dBc
100 K	- 102dBc
1 M	- 138 dBc
Noise Figure	15 dB

Key Parameter	Requirement
IP3 – Two Tone Intermod	-60 dBc @ -35 dBm input
P1dB	18 dBm
Band Flatness	
Any 60 MHz	+/- 0.25 dB
Any 125 MHz	+/- 0.5 dB
500 MHz Band	+/- 1 dB
Phase Linearity	
Any 60 MHz	+/- 0.1 Radian
Any 125 MHz	+/- 0.3 Radian
Spurious Output -7.9 to 8.4 GHz	
Signal Related	< -80 dBc
Signal Independent	< -80 dBm
IF Harmonics	< -63 dBc
Phase Errors	< 30 deg / .2 Sec

Typical Phase Noise



Drawing



Specifications subject to change without notice.

TRAK Microwave Corporation

E-mail: sales@trak.com • www.trak.com

Ph: 813-901-7200 • Fax: 813-901-7491

4726 Eisenhower Boulevard • Tampa, FL 33634-6391 USA

© TRAK Microwave Corp.