

Features:

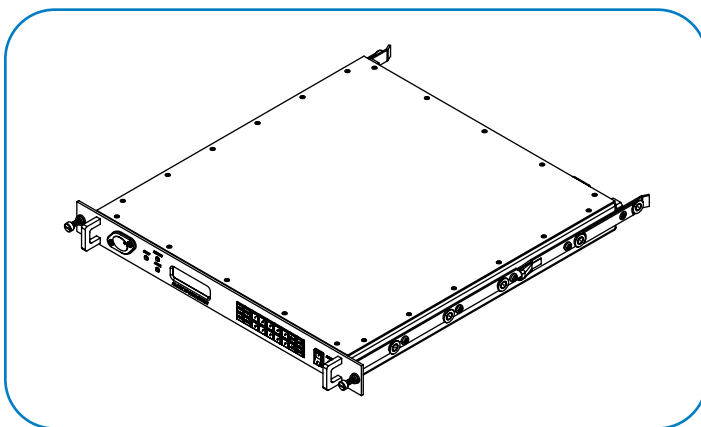
- Ideal for Mil-Satcom Applications
- Very Low Phase Noise
- Good Amplitude & Phase Response
- High Output Compression and IP3
- Summary Alarm



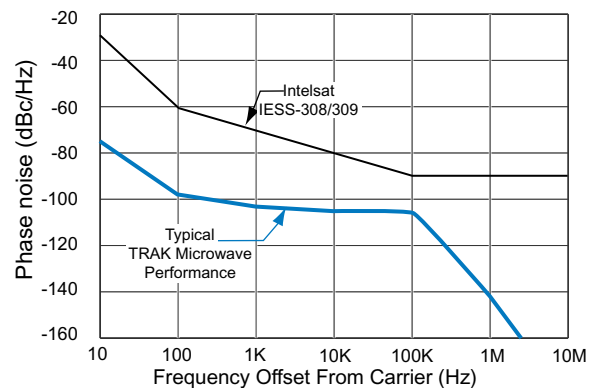
Key Parameter	Requirement
Bandwidth	
Input	7.25 to 7.75 GHz
Output	1.0 to 1.5 GHz
Gain	25 dB
Manual Gain Control	Set gain to 25 dB
Phase Noise (dBc/Hz)	
10 Hz	-75 dbc
100 Hz	- 95 dBc
1 K	- 105 dBc
10 K	- 107 dBc
100 K	- 107 dBc
1 M	- 143 dBc
Noise Figure	14 dB

Key Parameter	Requirement
IP3 – Two Tone Intermod	-60 dBc @ -25 dBm input
P1dB	18 dBm
Band Flatness	
Any 60 MHz	+/- 0.25 dB
Any 125 MHz	+/- 0.5 dB
500 MHz Band	+/- 1 dB
Phase Linearity	
Any 60 MHz	+/- .05 Radian
Any 125 MHz	+/- .15 Radian
Spurious Output -7.9 to 8.4 GHz	
Signal Related	< -70 dBc
Signal Independent	< -85 dBm
Phase Errors	< 20 deg / .2 Sec

Drawing:



Typical Phase Noise:



Specifications subject to change without notice.