

Features:

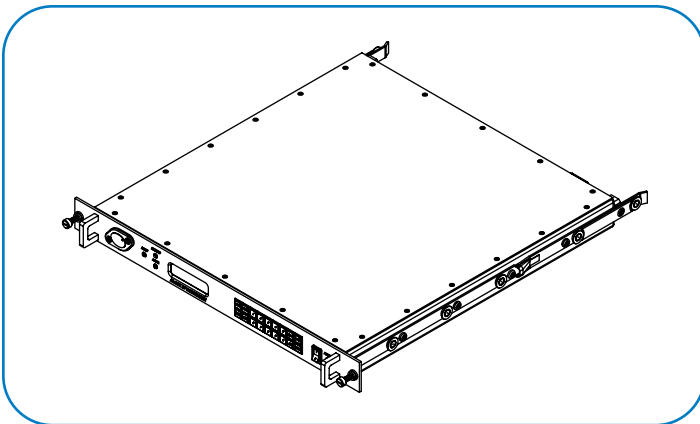
- Ideal for Mil-Satcom Applications
- Very Low Phase Noise
- Good Amplitude & Phase Response
- High Output Compression and IP3
- Summary Alarm
- 20 dB Gain Control, RS485



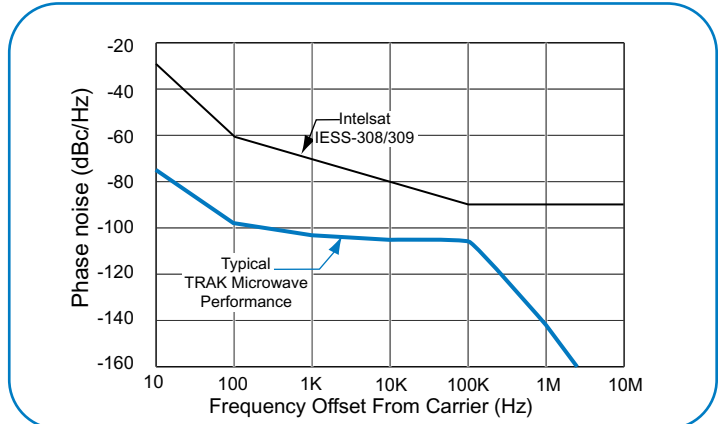
Key Parameter	Requirement
Bandwidth	
Input	1.0 to 1.5 GHz
Output	7.9 to 8.4 GHz
Gain	35 dB
Manual Gain Control	Set gain to 35 dB
Programmable Gain Control	20 dB min
Phase Noise (dBc/Hz)	
10 Hz	-75 dbc
100 Hz	- 95 dBc
1 K	- 105 dBc
10 K	- 107 dBc
100 K	- 107 dBc
1 M	- 143 dBc
Noise Figure	15 dB

Key Parameter	Requirement
IP3 – Two Tone Intermod P1dB	-60 dBc @ -35 dBm input 20 dBm
Band Flatness	
Any 60 MHz	+/- 0.25 dB
Any 125 MHz	+/- 0.5 dB
500 MHz Band	+/- 1 dB
Phase Linearity	
Any 60 MHz	+/- .05 Radian
Any 125 MHz	+/- .15 Radian
Spurious Output -7.9 to 8.4 GHz	
Signal Related	< -80 dBc
Signal Independent	< -80 dBm
IF Harmonics	< -63 dBc
Phase Errors	< 20 deg / .2 Sec

Drawing:



Typical Phase Noise:



Specifications subject to change without notice.