

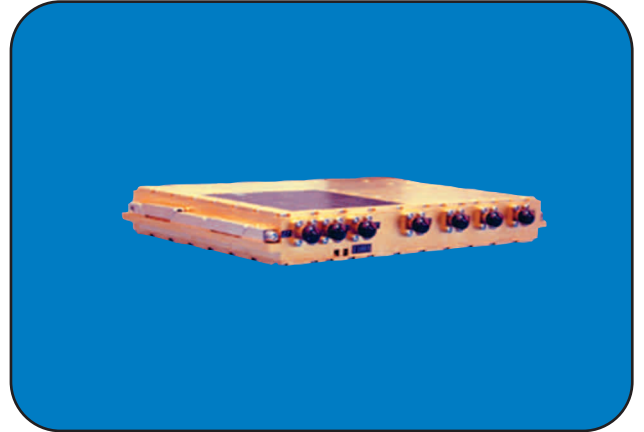
Converters

Downconverter/Demodulator, 16.5 GHz
Model: MFC132



Features:

- Dual Microwave Input
- Amplitude and Phase Matched
- Built-In RF Level Detection
- Two Gain Settings



Electrical Specifications

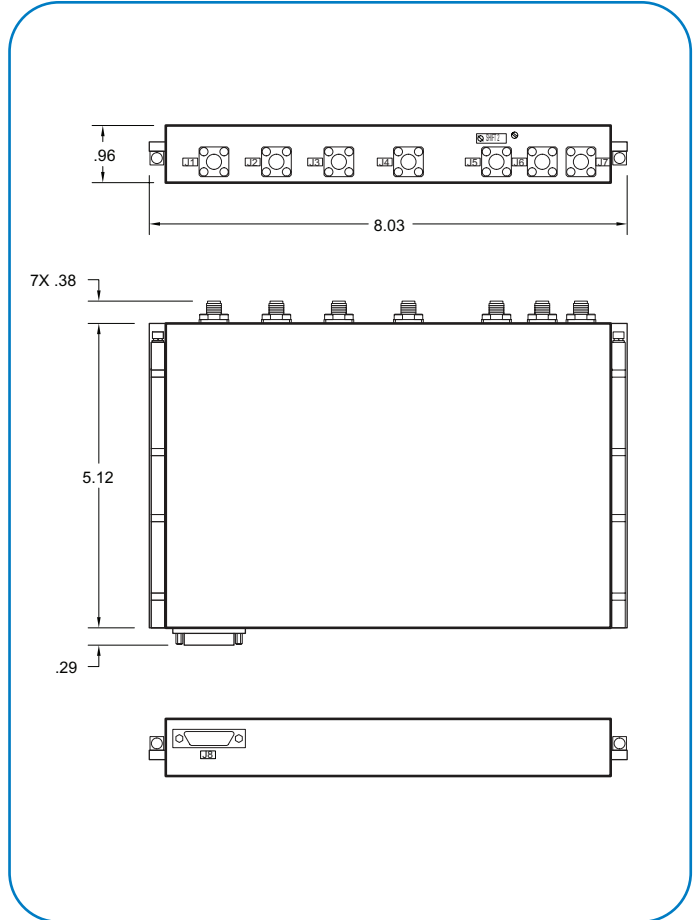
Frequency Input:	16.25 - 16.75 GHz (Dual)
Noise Figure:	< 20 dB
Gain:	- 25 dB or - 3 dB
Phase Match:	$\pm 10^\circ$
Amplitude Match:	± 1.5 dB
VSWR:	1.5:1
Frequency Output:	100 MHz \pm 11 MHz (Dual)
VSWR:	1.5:1
Phase Adjustment:	$\pm 180^\circ$
Spurious:	- 50 dBc
Harmonic:	- 40 dBc
DC Power:	20 W

Environmental Specifications

Operating Temp.:	-30 to 85 °C
Environment:	Missile

Mechanical Specifications

Size:	8 x 5.8 x .96 inches
Weight: (nominal)	2.9 lbs. (1.3 kg.)
Connectors:	
RF	SMA (F)
DC	Sub-D 25 pin



Specifications subject to change without notice.