

### Application - Defense (Military) • SatCom • Wireless

- Range Timing
- Communications Networks
- Satellite Ground Stations
- Test and Measurement Systems

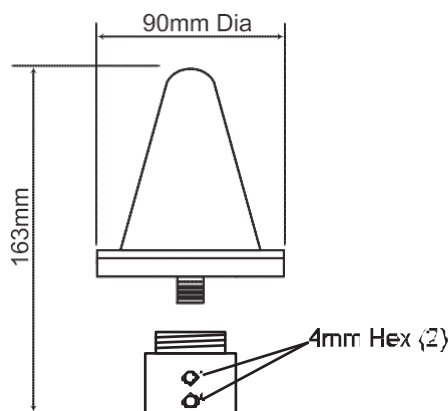


### Description:

The L9x GPS Antenna is the latest offering from TRAK Microwave, used to provide the L1 carrier signals to the TRAK family of GPS synchronization systems. Proven reliability, advanced interference rejection, and effective reception of GPS signals makes this the standard used on all TRAK Time and Frequency Systems.

Specification:			
Filtering:	-65 dBc @ 1559 MHz and 1665 MHz	Connector:	Model L9EA "TNC" Female Model L9EN "N" Female
Gain:	>30 dB, (35 dB Typical)	Dimensions:	Diameter, 3.5 Inches and Height, 4.0 Inches (Excluding Mast Adapter)
Noise Figure:	5.0 dB Maximum	Weight:	0.7 Pounds (Excluding Mast Adapter)
Protection:	80V, IEC 1000-4-5	Temperature:	Operational, -40° C to +85° C Storage, -45° C to +90° C
Power Supply:	+5, +0.5 VDC 30 mA Max		

### Drawing:



Specifications subject to change without notice.