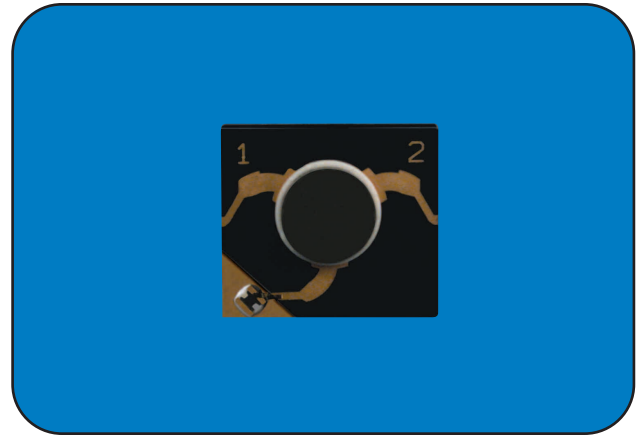


- Available in Frequencies from 4.5 GHz to 27 GHz
- Designed to Exceed Military and Space Environmental Requirements
- Low Mass
- Custom Engineered Solutions Available



Broadband Microstrip Isolator Capabilities

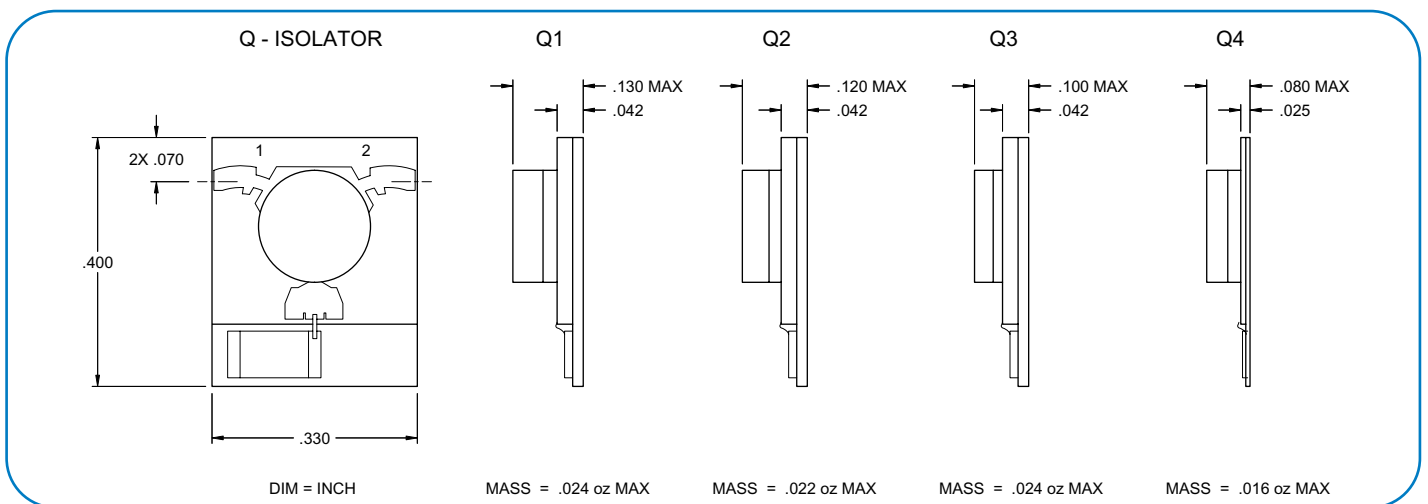
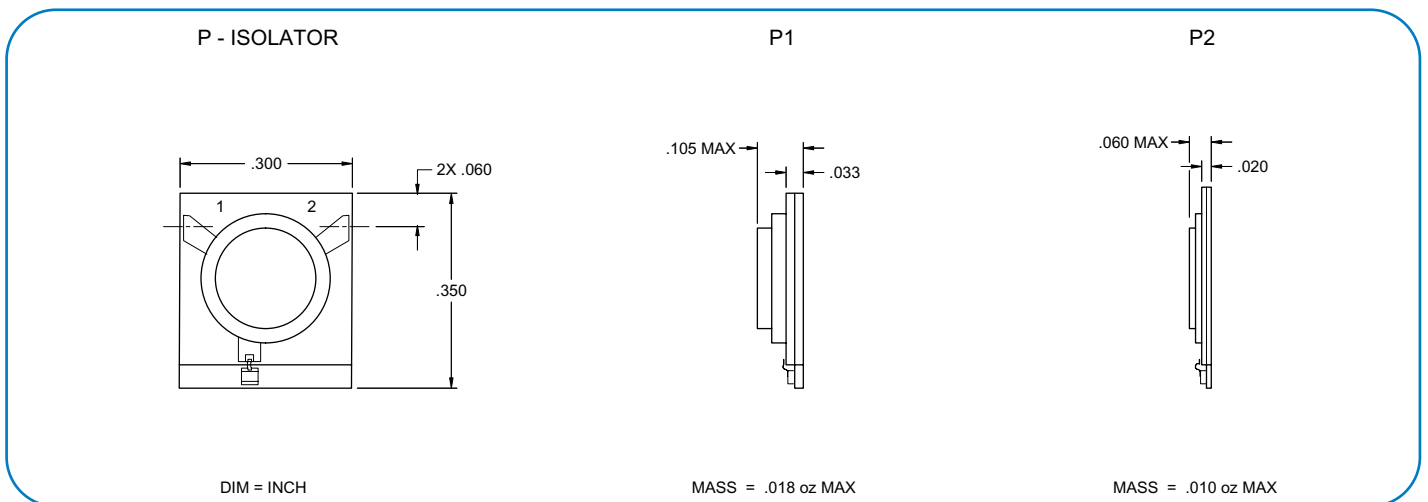
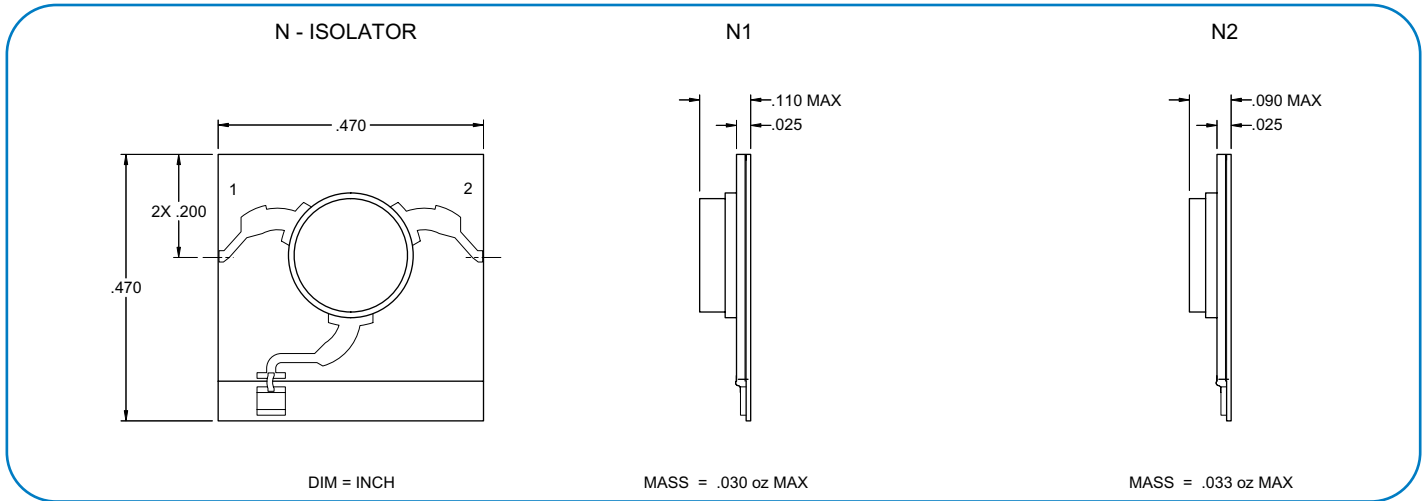
FREQUENCY (GHz)	MODEL NUMBER	ISOLATION (dB) MIN	INS LOSS (dB) MAX	VSWR MAX	OPERATING TEMP(°C)	PWR HANDLING PK/FWD/REV (W)	PACKAGE CODE
7.100 - 8.800	T7188/DB	16	0.60	1.40:1	-10 to +70	10 / 10 / 1	N1
8.000 - 11.000	T800110/DB	16	0.50	1.50:1	-20 to +70	20 / 10 / 1	Q2
8.500 - 11.500	T850115/DB	20	0.50	1.22:1	-10 to +70	15 / 15 / 1	P2
9.000 - 11.000	T900110/DB	20	0.50	1.22:1	-10 to +70	10 / 10 / 1	P2

Narrowband Microstrip Isolator Capabilities

FREQUENCY (GHz)	MODEL NUMBER	ISOLATION (dB) MIN	INS LOSS (dB) MAX	VSWR MAX	OPERATING TEMP(°C)	PWR HANDLING PK/FWD/REV (W)	PACKAGE CODE
4.500 - 5.000	T4550/DB	18	0.40	1.25:1	-25 to +85	10 / 10 / 1	N2
5.200 - 5.800	T5258/DB	16	1.00	1.40:1	-25 to +85	20 / 5 / 1	N1
5.900 - 7.100	T5971/DB	16	0.60	1.40:1	-10 to +70	10 / 10 / 1	N1
7.000 - 8.500	T7085/DB	16	0.60	1.38:1	-25 to +85	10 / 10 / 1	P1
9.000 - 9.200	T9092/DB	17	0.50	1.30:1	0 to +50	5 / 5 / 1	Q2
9.000 - 10.000	T900100/DB	15	0.50	1.22:1	-25 to +85	5 / 5 / 1	Q2
10.000 - 11.000	T100110/DB	20	0.60	1.22:1	-10 to +70	20 / 10 / 1	Q3
10.000 - 11.850	T100118/DD	18	0.60	1.30:1	-10 to +70	10 / 10 / 1	Q4
12.950 - 14.500	T129145/DG	20	0.45	1.22:1	-10 to +70	5 / 5 / 1	Q1
15.000 - 18.000	T150180/DH	17	0.70	1.35:1	-25 to +85	20 / 5 / 1	U1
16.000 - 18.000	T160180/DB	17	0.70	1.33:1	0 to +50	5 / 5 / 1	V1
17.500 - 18.000	T175180/DH	20	0.70	1.25:1	-25 to +85	20 / 5 / 1	U1
17.700 - 21.200	T177212/DB	18	0.50	1.29:1	-10 to +70	5 / 5 / 1	W1

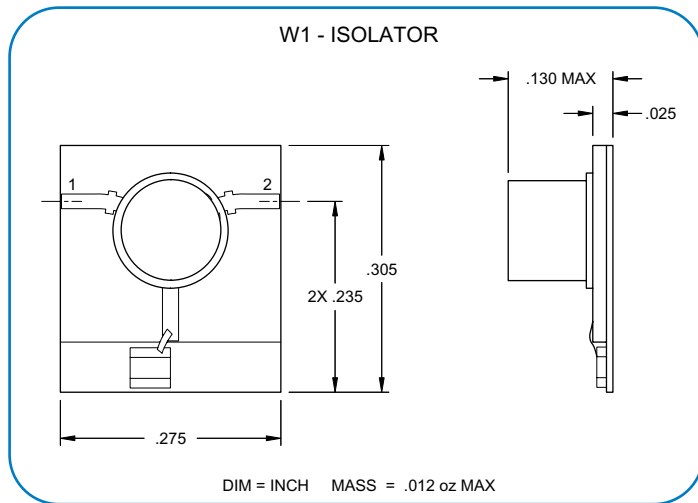
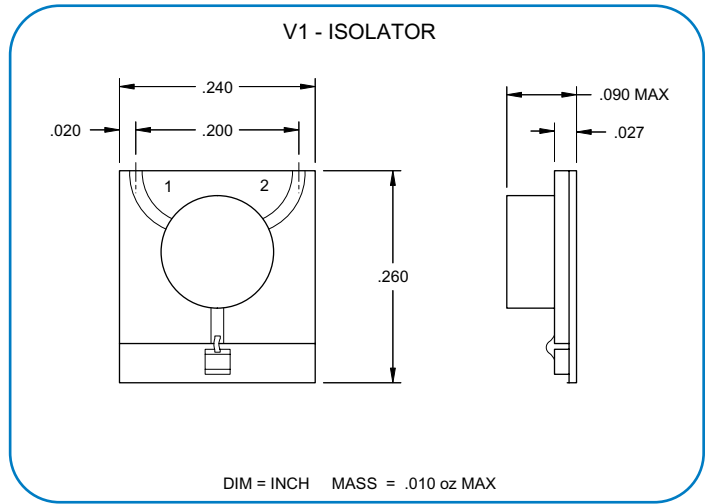
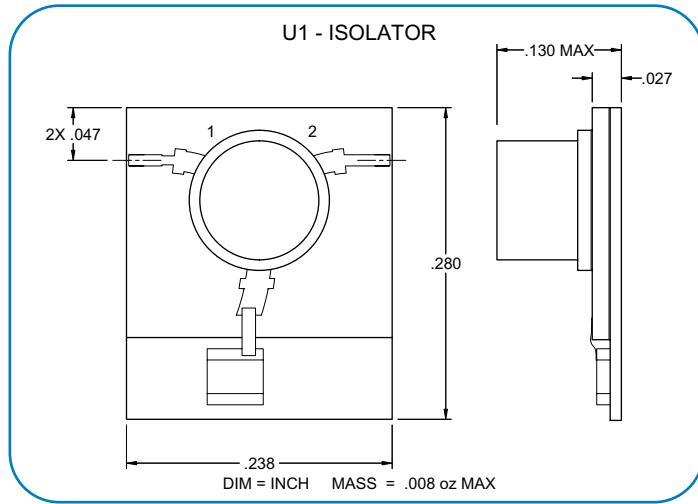
Specifications subject to change without notice.

Microstrip Isolator Package Drawings



Specifications subject to change without notice.

Microstrip Isolator Package Drawings



Specifications subject to change without notice.