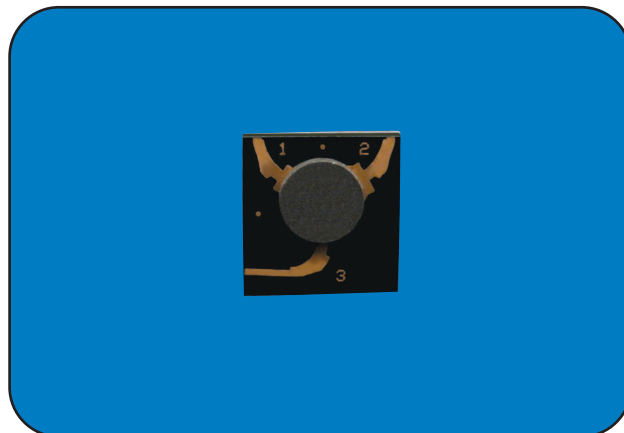


Microstrip Circulators



- Available in Frequencies from 4.5 GHz to 27 GHz
- Designed to Exceed Military and Space Environmental Requirements
- Low Mass
- Custom Engineered Solutions Available



Broadband Microstrip Circulators Capabilities

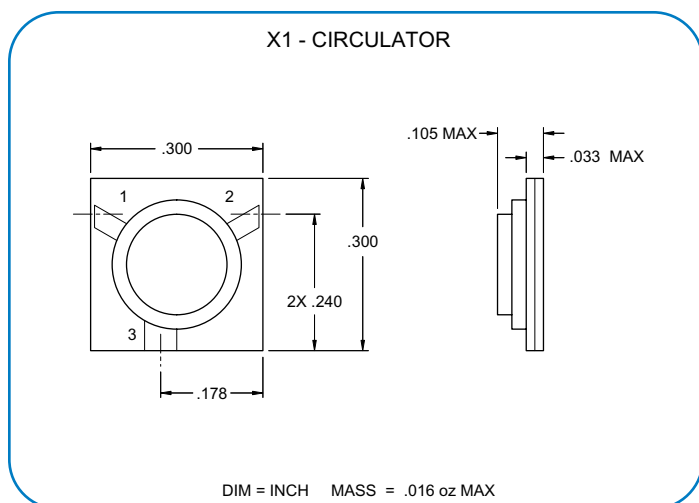
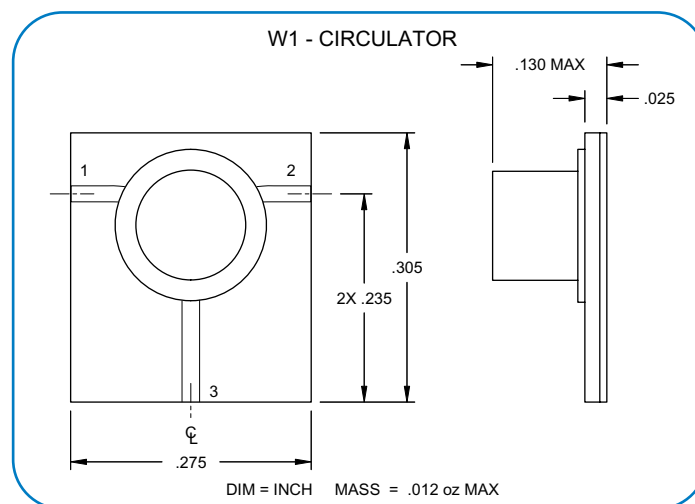
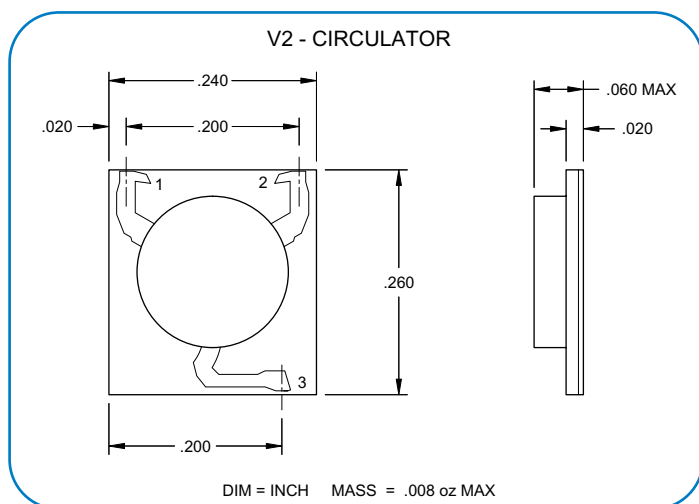
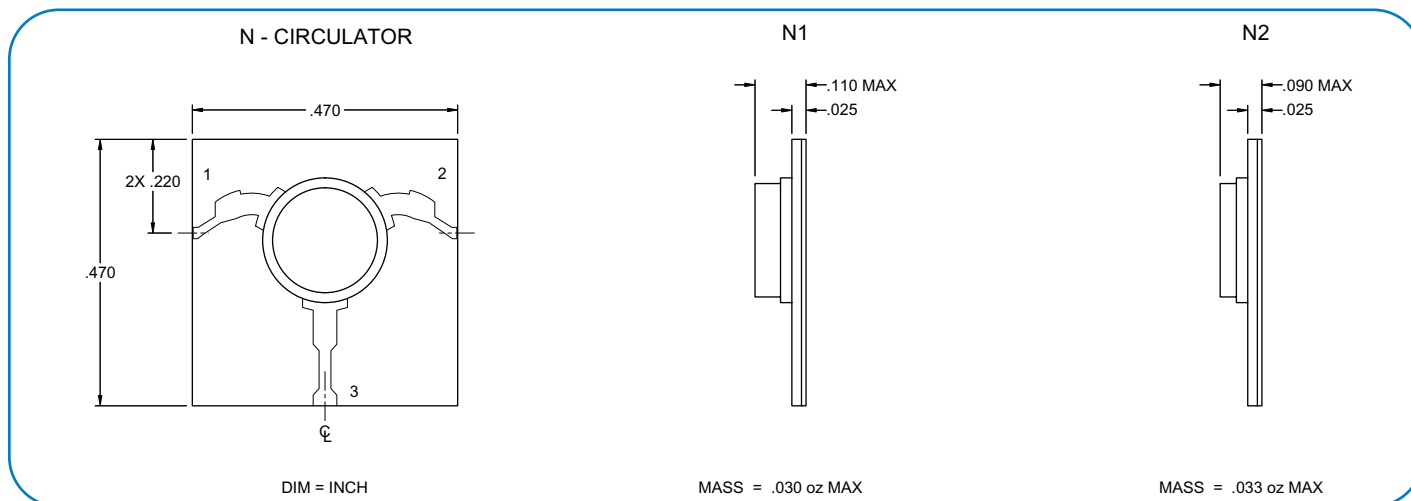
FREQUENCY (GHz)	MODEL NUMBER	ISOLATION (dB) MIN	INS LOSS (dB) MAX	VSWR MAX	OPERATING TEMP(°C)	PWR HANDLING PK/AVG (W)	PACKAGE CODE
7.100 - 8.800	C7188/DA	16	0.60	1.40:1	-10 to +70	10 / 10	N1
8.000 - 11.000	C800110/DA	15	0.50	1.50:1	-20 to +70	20 / 10	Y2
8.500 - 11.500	C850115/DA	20	0.50	1.22:1	-10 to +70	15 / 10	V2
9.000 - 11.000	C900110/DA	20	0.50	1.22:1	-10 to +70	10 / 10	V2

Narrowband Microstrip Circulators Capabilities

FREQUENCY (GHz)	MODEL NUMBER	ISOLATION (dB) MIN	INS LOSS (dB) MAX	VSWR MAX	OPERATING TEMP(°C)	PWR HANDLING PK/AVG (W)	PACKAGE CODE
4.500 - 5.000	C4550/DA	18	0.40	1.25:1	-10 to +70	10 / 10	N2
5.200 - 5.800	C5258/DA	16	1.00	1.40:1	-25 to +85	20 / 10	N1
5.900 - 7.100	C5971/DA	16	0.60	1.40:1	-10 to +70	10 / 10	N1
7.000 - 8.500	C7085/DA	16	0.60	1.38:1	-25 to +85	10 / 10	X1
9.000 - 9.200	C9092/DA	17	0.50	1.30:1	0 to +50	5 / 5	Y2
9.000 - 10.000	C900100/DA	15	0.50	1.22:1	-25 to +85	5 / 5	Y2
10.000 - 11.000	C100110/DA	20	0.60	1.22:1	-10 to +70	20 / 10	Y3
10.000 - 11.850	C100118/DC	18	0.60	1.30:1	-10 to +70	10 / 10	Y4
12.950 - 14.500	C129145/DF	20	0.45	1.22:1	-10 to +70	5 / 5	Y1
15.000 - 18.000	C150180/DG	17	0.70	1.35:1	-25 to +85	20 / 5	Z1
16.000 - 18.000	C160180/DA	17	0.70	1.33:1	0 to +50	5 / 5	Z2
17.500 - 18.000	C175180/DG	20	0.70	1.25:1	-25 to +85	20 / 5	Z1
17.700 - 21.200	C177212/DA	18	0.50	1.29:1	-10 to +70	5 / 5	W1

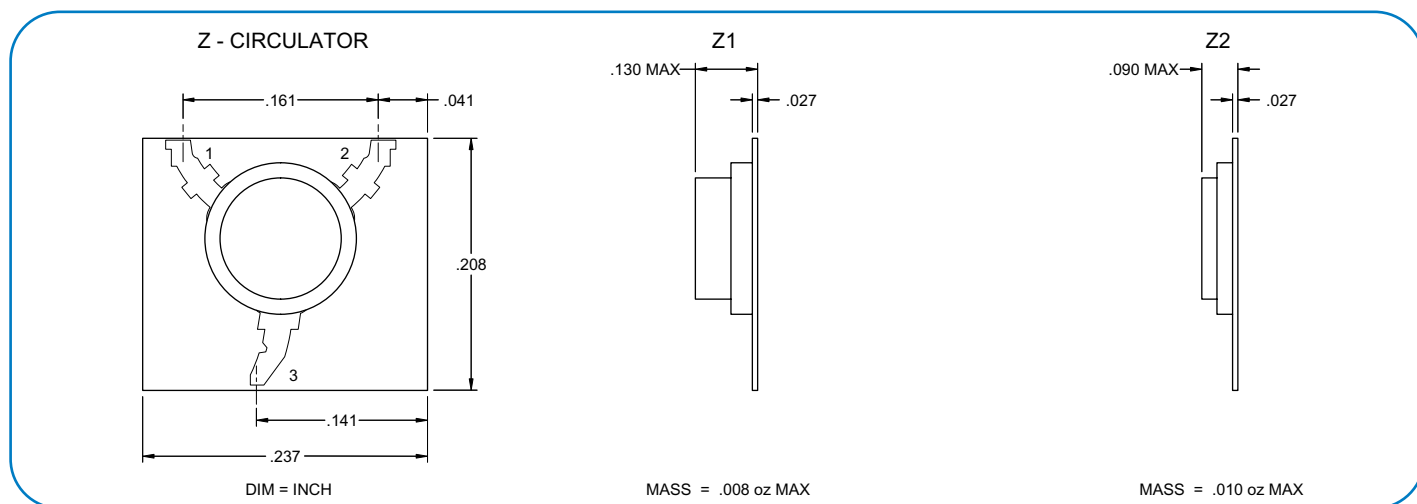
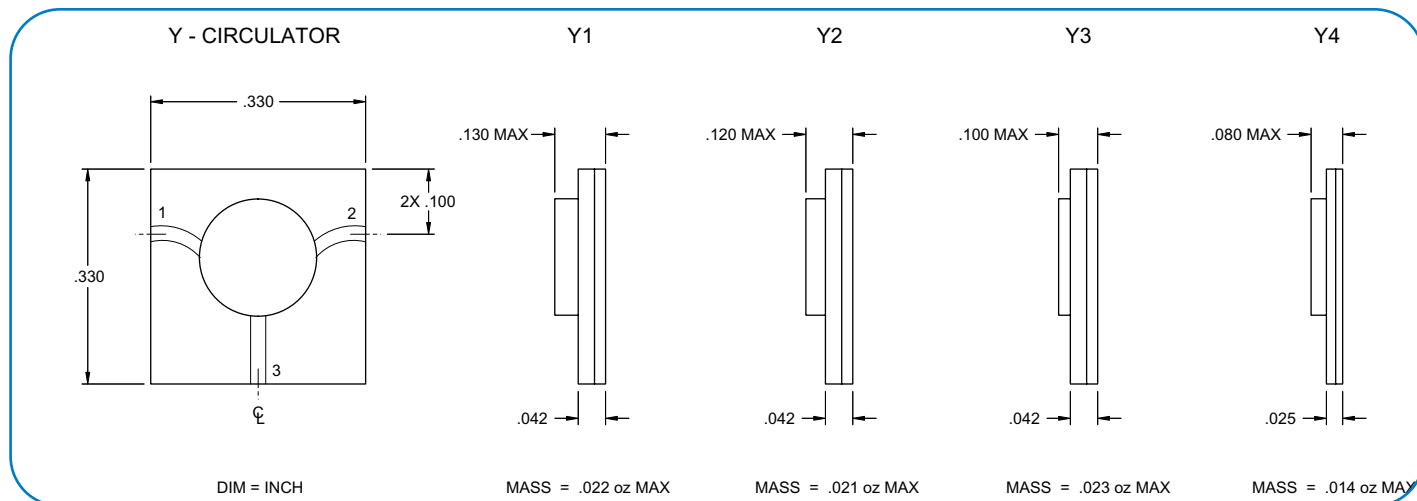
Specifications subject to change without notice.

Microstrip Circulator Package Drawings



Specifications subject to change without notice.

Microstrip Circulator Package Drawings



Specifications subject to change without notice.