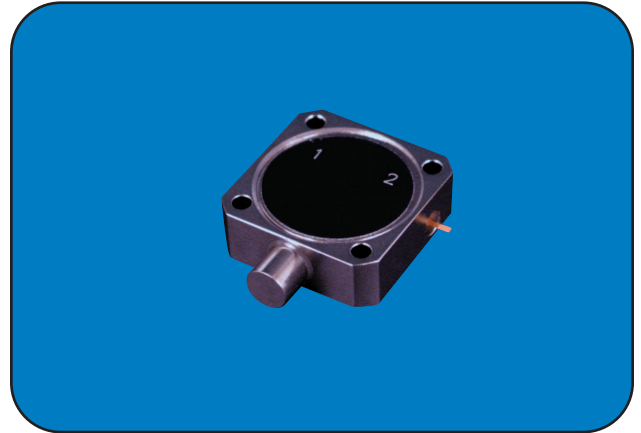


Drop-In Isolators



- Available in Frequencies from 450 MHz to 27 GHz
- Designed to Exceed Military and Space Environmental Requirements
- Compact, Rigged Construction, Excellent Magnetic Shielding
- Custom Engineered Solutions Available



Broadband Drop-In Isolator Capabilities

FREQUENCY (GHz)	MODEL NUMBER	ISOLATION (dB) MIN	INS LOSS (dB) MAX	VSWR MAX	OPERATING TEMP(°C)	PWR HANDLING PK/FWD/REV (W)	PACKAGE CODE
0.960 - 1.215	T096012/DB	18	0.50	1.30:1	-25 to +85	1000 / 60 / 1	M1
2.000 - 4.000	T2040/DD	16	0.60	1.40:1	-10 to +70	100 / 40 / 1	C1
2.600 - 5.200	T2652/DD	15	0.60	1.50:1	-25 to +85	100 / 30 / 1	C1
3.000 - 6.000	T3060/DD	16	0.60	1.40:1	-25 to +85	100 / 40 / 1	C1
3.400 - 4.200	T3442/DF	18	0.60	1.30:1	-25 to +85	100 / 60 / 1	E1
4.000 - 8.000	T4080/DI	16	0.60	1.40:1	-25 to +85	100 / 40 / 1	D2
4.700 - 10.000	T470100/DB	12	1.00	1.50:1	-25 to +85	100 / 30 / 1	D2
5.000 - 10.000	T500100/DD	16	0.60	1.40:1	-20 to +70	100 / 40 / 1	D2
6.000 - 18.000	T600180/DD	10	1.50	2.00:1	-25 to +85	100 / 10 / 1	E4
7.400 - 9.400	T7494/DA	19	0.50	1.25:1	-25 to +85	50 / 20 / 0.5	A2
7.500 - 18.000	T750180/DD	12	1.00	1.65:1	-25 to +85	100 / 20 / 1	E3
8.000 - 12.000	T800120/DH	16	0.70	1.45:1	-25 to +85	50 / 20 / 0.5	A2
8.000 - 12.000	T800120/DI	17	0.60	1.40:1	-25 to +85	100 / 40 / 1	E2
8.000 - 12.000	T800120/DJ	16	0.80	1.45:1	-25 to +85	50 / 20 / 0.5	R1
8.000 - 16.000	T800160/DD	14	0.80	1.50:1	-25 to +85	100 / 30 / 1	E2
8.000 - 18.000	T800180/DD	13	1.20	1.60:1	-25 to +85	100 / 20 / 1	E3
12.000 - 18.000	T120180/DI	17	0.90	1.50:1	-25 to +85	50 / 20 / 0.5	A2
12.000 - 18.000	T120180/DJ	17	0.90	1.50:1	-25 to +85	50 / 20 / 0.5	R2
12.000 - 18.000	T120180/DK	17	0.70	1.50:1	-25 to +85	100 / 30 / 1	E3
17.500 - 21.500	T175215/DB	19	0.50	1.25:1	-25 to +85	50 / 20 / 0.5	R2
17.600 - 21.600	T176216/DC	18	0.80	1.35:1	-25 to +85	50 / 20 / 0.5	R2
18.000 - 26.500	T180265/DD	14	1.00	1.50:1	-25 to +85	50 / 20 / 0.5	R2

Specifications subject to change without notice.

Narrowband Drop-In Isolator Capabilities

FREQUENCY (GHz)	MODEL NUMBER	ISOLATION (dB) MIN	INS LOSS (dB) MAX	VSWR MAX	OPERATING TEMP(°C)	PWR HANDLING PK/FWD/REV (W)	PACKAGE CODE
0.420 - 0.450	T042045/DD	20	0.50	1.25:1	0 to +50	1000 / 80 / 1	M1
0.980 - 1.080	T098010/DB	21	0.50	1.20:1	-25 to +85	1000 / 120 / 1	F1
1.030 - 1.090	T1010/DC	20	0.50	1.25:1	-25 to +85	1000 / 75 / 1	D1
1.080 - 1.195	T1011/DC	20	0.50	1.25:1	-25 to +85	1000 / 80 / 1	F1
1.200 - 1.400	T1214/DD	18	0.60	1.30:1	-25 to +85	1000 / 60 / 1	F1
1.435 - 1.535	T1415/DD	18	0.50	1.20:1	-25 to +85	1000 / 60 / 1	D1
1.525 - 1.559	T1515/DB	21	0.30	1.20:1	-25 to +85	1000 / 120 / 1	F1
1.960 - 2.170	T1921/DB	17	0.60	1.35:1	-25 to +85	100 / 50 / 1	D1
2.100 - 2.300	T2123/DD	18	0.05	1.30:1	-25 to +85	100 / 60 / 1	D1
2.200 - 2.300	T2223/DD	20	0.50	1.25:1	-25 to +85	1000 / 75 / 1	D1
2.500 - 2.700	T2527/DD	20	0.60	1.25:1	-25 to +85	100 / 75 / 1	D1
2.700 - 2.900	T2729/DB	20	0.60	1.25:1	-25 to +85	100 / 75 / 1	D1
2.800 - 3.300	T2833/DB	15	0.75	1.40:1	-25 to +85	100 / 40 / 1	D1
2.900 - 3.100	T2931/DB	21	0.50	1.20:1	-25 to +85	100 / 75 / 1	D1
3.000 - 3.600	T3036/DB	18	0.50	1.30:1	-25 to +85	100 / 60 / 1	E1
3.400 - 3.700	T3437/DB	20	0.50	1.20:1	-25 to +85	50 / 20 / 0.5	R1
3.600 - 4.200	T3642/DB	19	0.50	1.25:1	-25 to +85	50 / 20 / 0.5	R1
3.700 - 4.200	T3742/DE	20	0.40	1.25:1	-25 to +85	200 / 75 / 1	D1
3.700 - 4.200	T3742/DF	18	0.60	1.30:1	-25 to +85	100 / 60 / 1	E2
3.700 - 4.300	T3743/DA	15	0.60	1.45:1	-25 to +85	50 / 20 / 0.5	A1
4.200 - 4.400	T4244/DE	20	0.50	1.25:1	-25 to +85	50 / 20 / 0.5	A1
4.200 - 4.400	T4244/DF	20	0.40	1.25:1	-25 to +85	200 / 60 / 1	E1
4.200 - 4.400	T4244/DG	20	0.50	1.25:1	-25 to +85	50 / 20 / 0.5	R1
4.400 - 5.000	T4450/DB	21	0.45	1.20:1	-25 to +85	100 / 60 / 1	E1
4.500 - 4.700	T4547/DB	19	0.50	1.25:1	-25 to +85	50 / 20 / 0.5	R1
4.750 - 5.250	T4752/DA	21	0.50	1.20:1	-25 to +85	50 / 20 / 0.5	A1
5.150 - 5.650	T5156/DD	18	0.40	1.30:1	-25 to +85	100 / 60 / 1	E1
5.400 - 5.900	T5459/DE	20	0.50	1.25:1	-25 to +85	200 / 60 / 1	E1
5.400 - 5.900	T5459/DF	21	0.40	1.20:1	-25 to +85	50 / 20 / 0.5	R1
5.845 - 6.425	T5864/DB	21	0.50	1.20:1	-25 to +85	50 / 20 / 0.5	R1
5.900 - 6.400	T5964/DC	19	0.50	1.25:1	-25 to +85	200 / 60 / 1	E1
5.900 - 6.400	T5964/DD	21	0.40	1.20:1	-25 to +85	50 / 20 / 0.5	R1
6.600 - 7.300	T6673/DB	19	0.50	1.25:1	-25 to +85	50 / 20 / 0.5	R1
6.900 - 7.600	T6976/DB	18	0.60	1.30:1	-25 to +85	100 / 60 / 1	D1
7.000 - 7.500	T7075/DB	19	0.50	1.25:1	-25 to +85	100 / 60 / 1	E1
7.000 - 7.700	T7077/DC	21	0.50	1.20:1	-25 to +85	50 / 20 / 0.5	A2
7.100 - 7.700	T7177/DB	20	0.50	1.25:1	-25 to +85	50 / 20 / 0.5	R1
7.125 - 7.875	T7178/DB	18	0.60	1.30:1	-25 to +85	100 / 60 / 1	E1
7.500 - 8.400	T7584/DB	17	0.60	1.35:1	-25 to +85	100 / 50 / 1	E1
7.800 - 8.600	T7886/DB	19	0.50	1.25:1	-25 to +85	50 / 20 / 0.5	R1
8.000 - 8.500	T8085/DC	16	0.60	1.40:1	-25 to +85	100 / 40 / 1	E1

Specifications subject to change without notice.

Narrowband Drop-In Isolator Capabilities

FREQUENCY (GHz)	MODEL NUMBER	ISOLATION (dB) MIN	INS LOSS (dB) MAX	VSWR MAX	OPERATING TEMP(°C)	PWR HANDLING PK/FWD/REV (W)	PACKAGE CODE
8.000 - 8.500	T8085/DD	19	0.50	1.25:1	-25 to +85	50 / 20 / 0.7	R1
8.600 - 9.600	T8696/DA	20	0.50	1.20:1	-25 to +85	50 / 20 / 0.5	A2
9.000 - 10.500	T900105/DF	19	0.50	1.25:1	-25 to +85	50 / 20 / 0.5	R2
9.200 - 9.900	T9299/DA	19	0.50	1.25:1	-25 to +85	50 / 20 / 0.5	A2
9.500 - 10.500	T950105/DB	20	0.50	1.25:1	-25 to +85	50 / 20 / 0.5	A2
9.500 - 10.500	T950105/DC	20	0.50	1.25:1	-25 to +85	50 / 20 / 0.5	R2
9.700 - 11.200	T970112/DB	19	0.50	1.25:1	-25 to +85	50 / 20 / 0.5	R2
10.400 - 11.300	T104113/DB	21	0.50	1.20:1	-25 to +85	50 / 20 / 0.5	R2
10.700 - 11.950	T107119/DD	20	0.50	1.25:1	-25 to +85	50 / 20 / 0.5	R2
10.750 - 12.800	T107128/DE	20	0.50	1.25:1	-25 to +85	50 / 20 / 0.5	R2
11.500 - 12.950	T115129/DB	19	0.50	1.25:1	-25 to +85	50 / 20 / 0.5	A2
12.100 - 12.800	T121128/DB	19	0.50	1.25:1	-25 to +85	100 / 60 / 1	E1
12.500 - 14.100	T125141/DB	20	0.50	1.25:1	-25 to +85	50 / 20 / 0.5	R2
12.700 - 13.500	T127135/DB	21	0.50	1.20:1	-25 to +85	50 / 20 / 0.5	R2
12.750 - 14.500	T127145/DC	20	0.70	1.25:1	-25 to +85	50 / 20 / 0.5	R2
12.750 - 14.500	T127145/DD	21	0.50	1.20:1	-25 to +85	50 / 20 / 0.5	R2
17.200 - 17.900	T172179/DD	19	0.50	1.25:1	-25 to +85	50 / 20 / 0.5	R2
17.300 - 18.100	T173181/DB	18	0.60	1.30:1	-25 to +85	50 / 20 / 0.5	R2
19.000 - 20.000	T190200/DB	19	0.50	1.25:1	-25 to +85	50 / 20 / 0.5	R2
19.375 - 19.875	T193198/DB	17	0.60	1.30:1	-25 to +85	50 / 20 / 0.5	R2
19.550 - 20.350	T195203/DC	17	0.60	1.30:1	-25 to +85	50 / 20 / 0.5	A2
22.000 - 22.500	T220225/DB	17	0.60	1.30:1	-25 to +85	50 / 20 / 0.5	R2
22.550 - 24.050	T225240/DB	17	0.60	1.30:1	-25 to +85	50 / 20 / 0.5	R2
22.665 - 23.165	T226231/DB	17	0.60	1.30:1	-25 to +85	50 / 20 / 0.5	R2

Specifications subject to change without notice.

Drop-In Isolators



Select-A-Frequency Drop-In Isolator Capabilities

Refer to page 50 for Select-A-Frequency Instructions.

CENTER FREQUENCY (GHz)	MODEL NUMBER	BANDWIDTH (%)	ISOLATION (dB MIN)	INS LOSS (dB MAX)	VSWR MAX	OPERATING TEMP (°C)	PWR HANDLING PK/FWD/REV (W)	PACKAGE CODE
0.500 - 0.700	T050070/S*B	3%	20	0.70	1.25:1	25 to +85	1000 / 80 / 1	F1
0.700 - 1.000	T070010/S*D	5%	20	0.60	1.25:1	-25 to +85	1000 / 80 / 1	F1
1.000 - 1.300	T1013/S*D	10%	20	0.50	1.25:1	-25 to +85	1000 / 80 / 1	F1
1.300 - 1.650	T1316/S*F	10%	20	0.50	1.25:1	-25 to +85	1000 / 80 / 1	F1
1.650 - 2.000	T1620/S*B	5%	20	0.50	1.25:1	-25 to +85	1000 / 75 / 1	D1
2.000 - 2.500	T2025/S*B	5%	20	0.50	1.25:1	-25 to +85	100 / 75 / 1	D1
2.500 - 3.700	T2537/S*B	10%	20	0.60	1.25:1	-25 to +85	100 / 75 / 1	D1
3.700 - 4.600	T3746/S*B	5%	18	0.60	1.30:1	-25 to +85	200 / 60 / 1	E1
4.000 - 8.000	T4080/S*B	10%	20	0.60	1.25:1	-25 to +85	50 / 20 / 0.5	A1
4.000 - 8.000	T4080/S*C	10%	20	0.60	1.25:1	-25 to +85	50 / 20 / 0.5	R1
4.600 - 6.200	T4662/S*B	5%	18	0.60	1.30:1	-25 to +85	200 / 60 / 1	E1
6.200 - 8.000	T6280/S*B	10%	18	0.60	1.30:1	-25 to +85	200 / 60 / 1	E1
8.000 - 10.000	T800100/S*B	10%	18	0.60	1.35:1	-25 to +85	100 / 50 / 1	E1
8.000 - 12.000	T800120/S*B	10%	20	0.60	1.25:1	-25 to +85	50 / 20 / 0.5	A2
8.000 - 12.000	T800120/S*C	10%	20	0.60	1.25:1	-25 to +85	50 / 20 / 0.5	R2
10.000 - 12.000	T100120/S*B	10%	18	0.60	1.35:1	-25 to +85	100 / 50 / 1	E2
12.000 - 15.000	T120150/S*B	10%	18	0.60	1.35:1	-25 to +85	100 / 50 / 1	E2
12.000 - 18.000	T120180/S*B	10%	17	0.80	1.35:1	-25 to +85	50 / 20 / 0.5	A2
15.000 - 18.000	T150180/S*D	10%	17	0.70	1.40:1	-25 to +85	100 / 40 / 1	E3

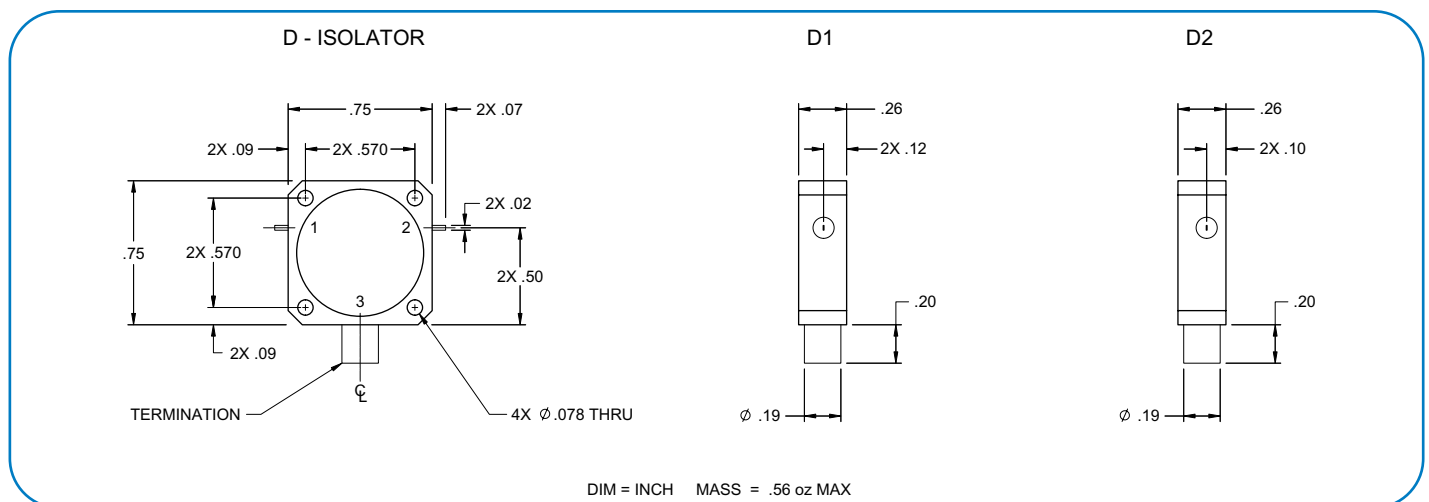
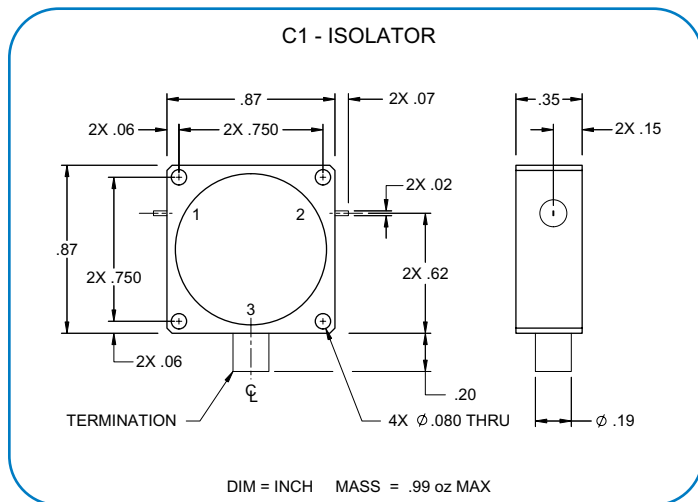
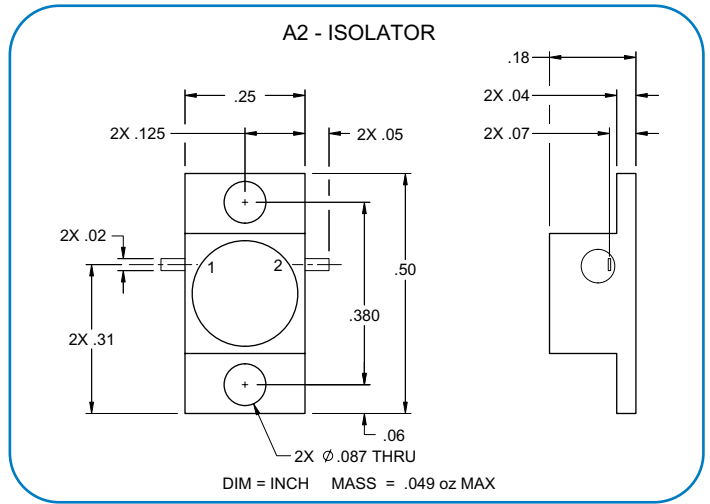
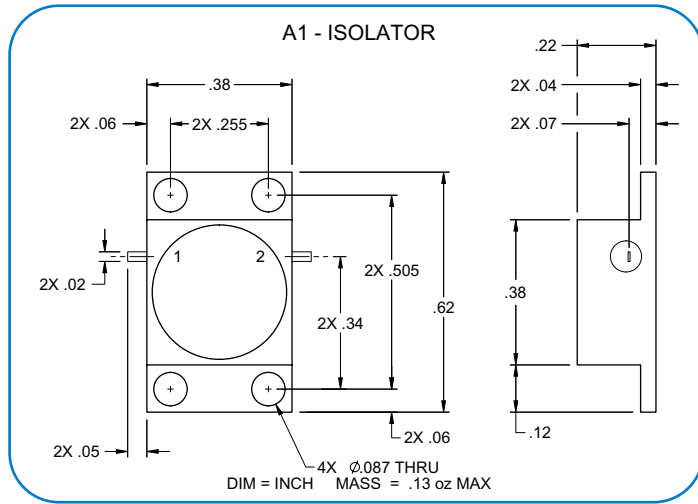
Specifications subject to change without notice.

TRAK Microwave Corporation
 E-Mail: sales@trak.com ■ www.trak.com
 Ph: 813-901-7200 ■ US Toll Free: 1-888-283-8444

smiths

4726 Eisenhower Boulevard ■ Tampa, Florida 33634-6391 USA

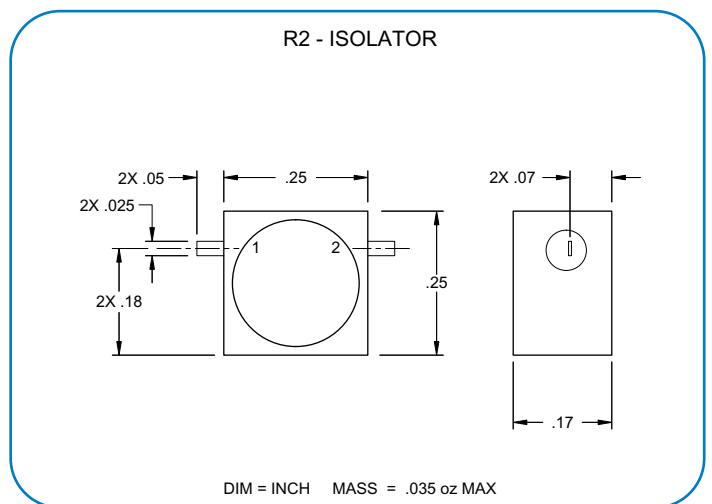
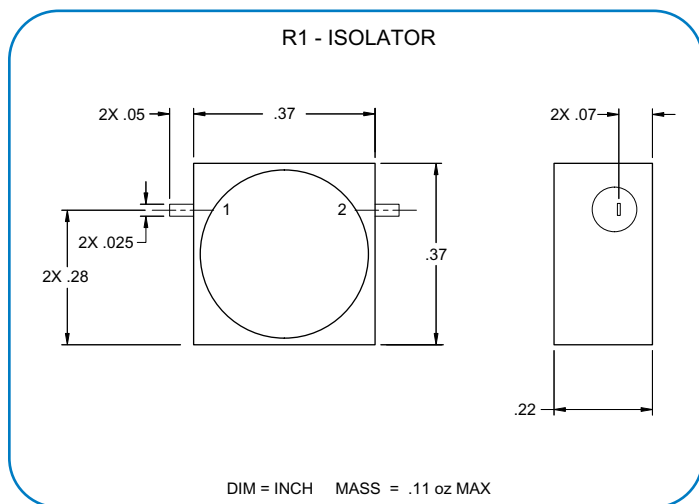
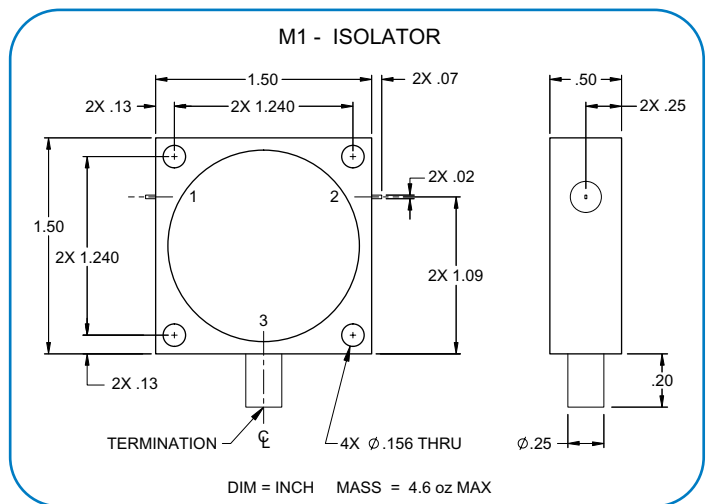
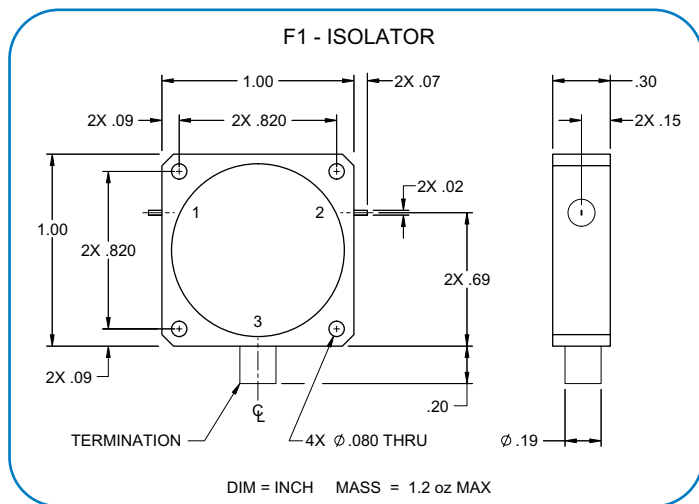
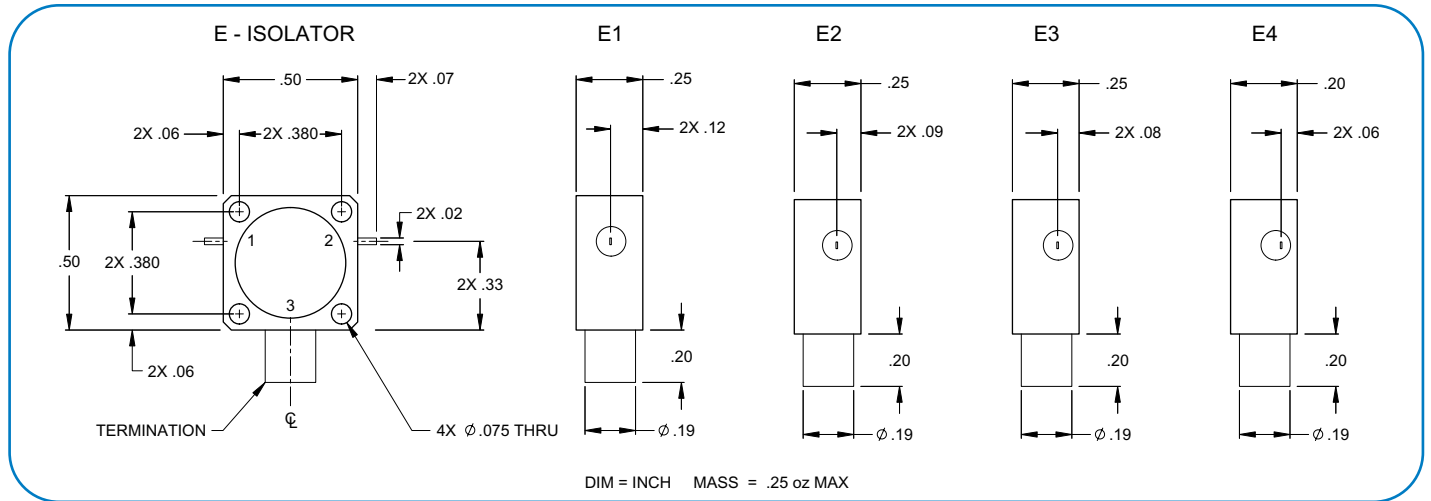
Drop-In Isolator Package Drawings



Tab leads are .005" +/- .001 thick beryllium copper, silver plated or solder tinned (gold plating optional).

Specifications subject to change without notice.

Drop-In Isolator Package Drawings



Tab leads are .005" +/- .001 thick beryllium copper, silver plated or solder tinned (gold plating optional).

Specifications subject to change without notice.