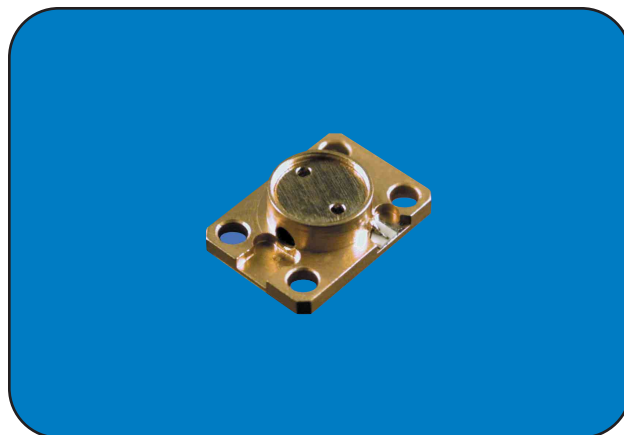


- Available in Frequencies From 1.0 GHz to 23 GHz
- Idea for High Reliability Applications
- Designed to Exceed Military and Space Environmental Requirements
- Compact, Rugged Construction, Magnetically Shielded
- Alumina Substrate Wire/Ribbon Bonding Interface
- Custom Engineered Solutions Available



Broadband MICpuck™ Isolator Capabilities

FREQUENCY (GHz)	MODEL NUMBER	ISOLATION (dB) MIN	INS LOSS (dB) MAX	VSWR MAX	OPERATING TEMP(°C)	PWR HANDLING PK/FWD/REV (W)	PACKAGE CODE
3.400 - 4.200	T3442/DH	17	0.60	1.30:1	-25 to +85	100 / 75 / 1	T3
10.500 - 13.000	T105130/DB	18	0.50	1.30:1	-25 to +85	50 / 20 / 0.5	T2

Narrowband MICpuck™ Isolator Capabilities

FREQUENCY (GHz)	MODEL NUMBER	ISOLATION (dB) MIN	INS LOSS (dB) MAX	VSWR MAX	OPERATING TEMP(°C)	PWR HANDLING PK/FWD/REV (W)	PACKAGE CODE
1.000 - 1.050	T1010/DB	19	0.50	1.25:1	-25 to +85	75 / 50 / 1	T4
1.525 - 1.559	T1515/DD	20	0.50	1.20:1	-25 to +85	75 / 50 / 1	T4
2.020 - 2.190	T2021/DB	20	0.40	1.22:1	-25 to +85	75 / 50 / 1	T4
2.100 - 2.300	T2123/DF	20	0.50	1.25:1	-25 to +85	75 / 50 / 1	T4
2.300 - 2.500	T2325/DB	20	0.50	1.25:1	-25 to +85	75 / 50 / 1	T3
2.400 - 2.800	T2428/DB	20	0.50	1.25:1	-25 to +85	75 / 50 / 1	T3
2.500 - 2.900	T2529/DB	20	0.50	1.25:1	-25 to +85	75 / 50 / 1	T3
2.700 - 2.950	T2729/DD	20	0.50	1.25:1	-25 to +85	75 / 50 / 1	T3
2.900 - 3.300	T2933/DB	20	0.50	1.25:1	-25 to +85	75 / 50 / 1	T3
3.100 - 3.300	T3133/DB	20	0.50	1.25:1	-25 to +85	100 / 75 / 1	T3
3.400 - 3.800	T3438/DB	20	0.50	1.25:1	-25 to +85	100 / 75 / 1	T3
3.500 - 3.700	T3537/DB	20	0.50	1.25:1	-25 to +85	100 / 75 / 1	T3
3.600 - 4.200	T3642/DD	21	0.50	1.20:1	-25 to +85	100 / 75 / 1	T1
4.300 - 4.500	T4345/DB	21	0.50	1.20:1	-25 to +85	50 / 20 / 0.7	T1
4.400 - 4.800	T4448/DB	21	0.50	1.20:1	-25 to +85	50 / 20 / 0.7	T1
4.700 - 4.900	T4749/DB	20	0.50	1.25:1	-25 to +85	50 / 20 / 0.7	T1
5.400 - 5.900	T5459/DH	20	0.50	1.25:1	-25 to +85	50 / 20 / 0.7	T1
5.850 - 6.450	T5864/DE	20	0.50	1.25:1	-25 to +85	50 / 20 / 0.7	T1
5.900 - 6.200	T5962/DB	21	0.50	1.20:1	-25 to +85	50 / 20 / 0.7	T1
6.400 - 6.700	T6467/DB	20	0.50	1.25:1	-25 to +85	50 / 20 / 0.7	T1
6.650 - 7.350	T6673/DD	20	0.50	1.25:1	-25 to +85	50 / 20 / 0.7	T1

Specifications subject to change without notice.

Narrowband MICpuck™ Isolator Capabilities

FREQUENCY (GHz)	MODEL NUMBER	ISOLATION (dB) MIN	INS LOSS (dB) MAX	VSWR MAX	OPERATING TEMP(°C)	PWR HANDLING PK/FWD/REV (W)	PACKAGE CODE
6.700 - 7.100	T6771/DD	18	0.60	1.20:1	-25 to +85	50 / 20 / 0.7	T1
7.100 - 7.300	T7173/DB	19	0.50	1.25:1	-25 to +85	50 / 20 / 0.7	T1
7.125 - 7.875	T7178/DD	18	0.50	1.30:1	-25 to +85	50 / 20 / 0.7	T1
7.200 - 7.400	T7274/DB	19	0.50	1.25:1	-25 to +85	50 / 20 / 0.7	T1
7.250 - 7.750	T7277/DB	18	0.50	1.30:1	-25 to +85	50 / 20 / 0.7	T1
7.400 - 7.600	T7476/DB	19	0.50	1.25:1	-25 to +85	50 / 20 / 0.7	T1
7.550 - 8.050	T7580/DB	19	0.50	1.25:1	-25 to +85	50 / 20 / 0.7	T1
7.825 - 8.475	T7884/DD	21	0.50	1.20:1	-25 to +85	50 / 20 / 0.5	T2
7.825 - 8.475	T7884/DF	21	0.50	1.20:1	-25 to +85	50 / 20 / 0.5	T2
8.050 - 8.250	T8082/DB	19	0.50	1.25:1	-25 to +85	50 / 20 / 0.7	T1
8.550 - 9.450	T8594/DB	18	0.60	1.30:1	-25 to +85	50 / 20 / 0.5	T2
9.400 - 9.900	T9499/DB	19	0.50	1.25:1	-25 to +85	50 / 20 / 0.5	T2
9.800 - 10.800	T980108/DB	18	0.60	1.30:1	-25 to +85	50 / 20 / 0.5	T2
10.700 - 11.700	T107117/DB	21	0.50	1.20:1	-25 to +85	50 / 20 / 0.5	T2
10.700 - 12.750	T107127/DB	20	0.50	1.20:1	-25 to +85	50 / 20 / 0.5	T2
11.000 - 13.000	T110130/DB	18	0.60	1.30:1	-25 to +85	50 / 20 / 0.5	T2
11.400 - 11.700	T114117/DC	20	0.50	1.25:1	-25 to +85	50 / 20 / 0.5	T2
11.700 - 12.700	T117127/DD	21	0.50	1.20:1	-25 to +85	50 / 20 / 0.5	T2
12.700 - 13.800	T127138/DD	21	0.50	1.20:1	-25 to +85	50 / 20 / 0.5	T2
13.100 - 14.700	T131147/DB	18	0.60	1.30:1	-25 to +85	50 / 20 / 0.5	T2
13.400 - 15.000	T134150/DB	18	0.60	1.30:1	-25 to +85	50 / 20 / 0.5	T2
14.000 - 14.500	T140145/DB	21	0.50	1.20:1	-25 to +85	50 / 20 / 0.5	T2
17.100 - 17.900	T171179/DB	17	0.80	1.40:1	-25 to +85	50 / 20 / 0.5	T2
17.300 - 18.500	T173185/DF	21	0.50	1.20:1	-25 to +85	50 / 20 / 0.5	T2
17.800 - 19.000	T178190/DB	21	0.50	1.20:1	-25 to +85	50 / 20 / 0.5	T2
18.100 - 19.100	T181191/DB	19	0.60	1.25:1	-25 to +85	50 / 20 / 0.5	T2
18.800 - 20.200	T188202/DB	20	0.60	1.20:1	-25 to +85	50 / 20 / 0.5	T2
19.500 - 20.500	T195205/DB	19	0.50	1.25:1	-25 to +85	50 / 20 / 0.5	T2
20.000 - 20.600	T200206/DB	21	0.60	1.20:1	-25 to +85	50 / 20 / 0.5	T2
20.200 - 21.200	T202212/DB	21	0.60	1.20:1	-25 to +85	50 / 20 / 0.5	T2
21.000 - 23.000	T210230/DB	19	0.60	1.25:1	-25 to +85	50 / 20 / 0.5	T2

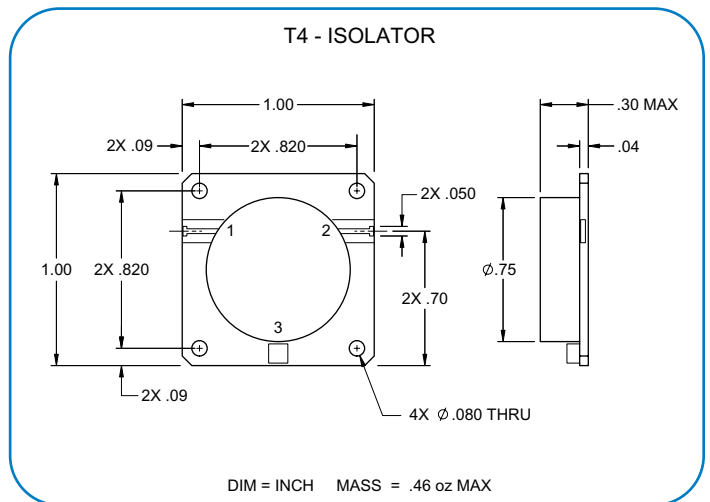
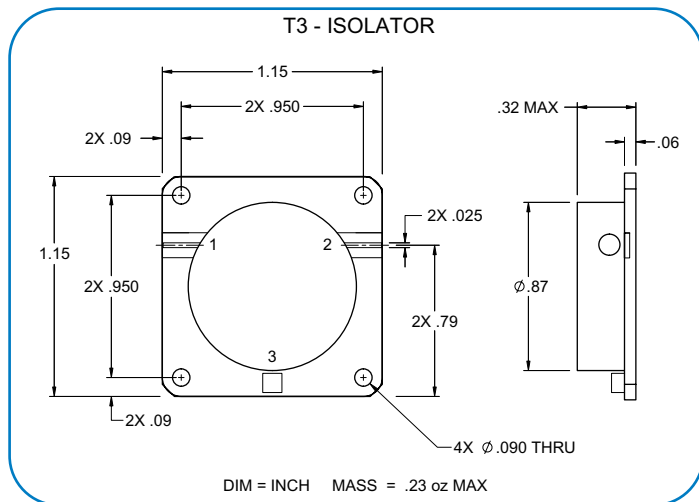
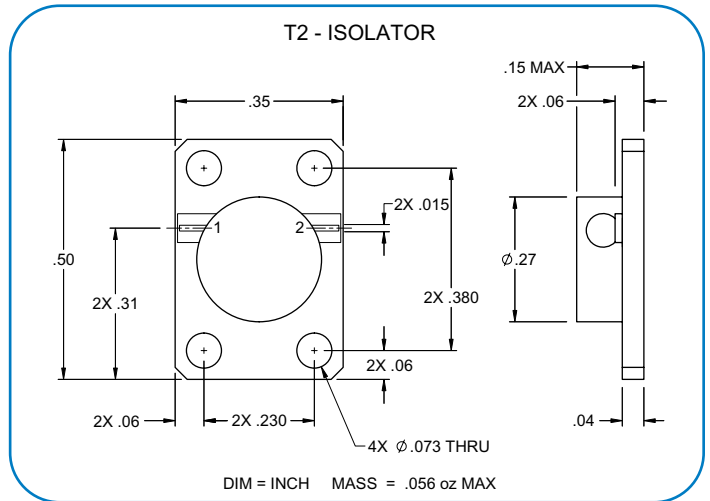
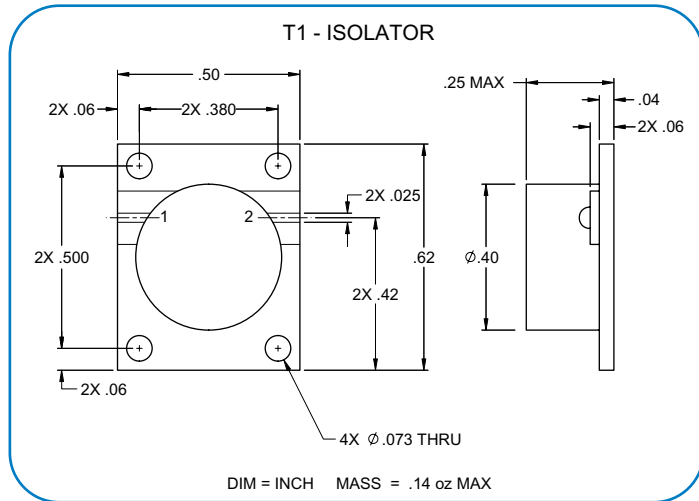
Select-A-Frequency MICpuck™ Isolator Capabilities

Refer to page 50 for Select-A-Frequency Instructions.

CENTER FREQUENCY (GHz)	MODEL NUMBER	BANDWIDTH (%)	ISOLATION (dB) MIN	INS LOSS (dB) MAX	VSWR MAX	OPERATING TEMP (°C)	PWR HANDLING PK/FWD/REV (W)	PACKAGE CODE
4.000 - 8.000	T4080/S*E	10%	19	0.55	1.30:1	-25 to +85	50 / 20 / 0.7	T1
8.000 - 12.000	T800120/S*E	10%	19	0.70	1.25:1	-25 to +85	50 / 20 / 0.5	T2
12.000 - 18.000	T120180/S*D	10%	17	0.80	1.35:1	-25 to +85	50 / 20 / 0.5	T2

Specifications subject to change without notice.

MICpuck™ Isolator Package Drawings



Specifications subject to change without notice.