

Features:

- Fundamental and Multiplied Crystal Oscillators
- Wide Frequency Coverage
- Extended Frequency Range Option
- RF Gating Option



Electrical Specifications

Frequency Range:	60 to 1440 MHz
Frequency Set Accuracy (+ 25 °C):	± 10 ppm
Frequency Stability vs Temperature:	± 30 ppm
Aging Rate:	5 ppm first year
Power Output:	+ 10 dBm, min
Phase Noise:	See Figure 1
Spurious:	- 80 dBc, typical
Harmonics & Sub-harmonics: ^{Note 1}	- 30 dBc, max
Output VSWR:	1.5:1, typical
Supply Voltage:	+ 12 to 18 volts
DC Current:	80 mA, typical

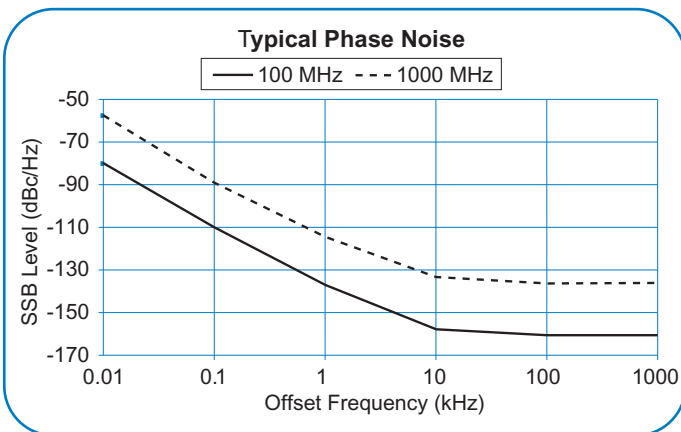


Figure 1

Environmental Specifications

Standard Operating Temperature: 0 to + 70 °C

Options

- 002 Extended Operating Temperature: - 54 to + 85 °C

- 100 Fast Gating:

Oscillator remains on at all times.
 All other active stages are gated on and off.

On/Off Ratio: 40 dB, typical
 Turn On/Off Time: 100 ns, maximum
 Gate: TTL ("1" ON, "0" OFF)

- 200 High Isolation Gating:

All active stages are gated on and off.

On/Off Ratio: Infinite
 Turn On/Off Time: 5 ms, maximum

Note 1: "Sub-harmonics" refers to the unwanted multiples of the fundamental crystal used.

Note 2: For non-gated units the gate terminal must be left open (no connection).

Note 3: Options -100 and -200 cannot be combined.

Specifications subject to change without notice.

Oscillators

Catalog, Miniature AT - Cut Crystal Oscillators

Model: OSC 10-001 & 10-101 Series



PCB Versions (Package A)		Surface Mount Versions (Package B)	
Frequency Range (MHz)	Model Number	Frequency Range (MHz)	Model Number
60 - 120	10-001-9100-000	60 - 120	10-001-9500-000
121 - 360	10-101-9200-000	121 - 360	10-101-9600-000
361 - 720	10-101-9300-000	361 - 720	10-101-9700-000
721 - 1440	10-101-9400-000	721 - 1440	10-101-9800-000

Options:

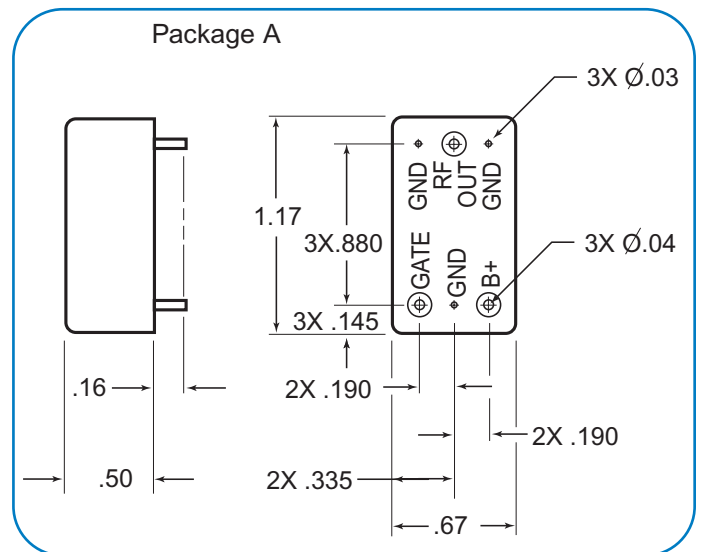
Options are designated by the last three digits of the model number, with - 000 indicating no options.

Ordering Information:

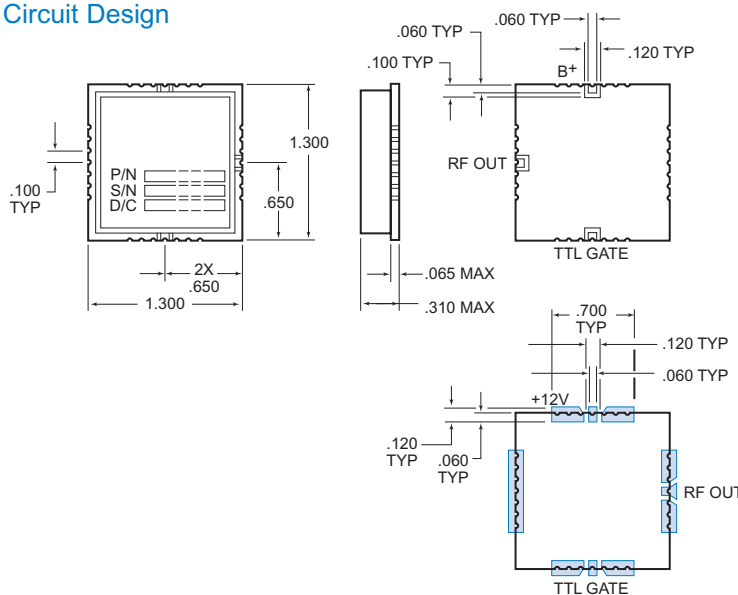
Specify the model number, options (if any), and the exact operating frequency in MHz to the fourth decimal place.

Example:

Model Number 10-001-9100-102, 100.0000 MHz is a 100 MHz PCB mount oscillator with fast gating and extended operating temperature.



Layout for Printed Circuit Design



Package B

Specifications subject to change without notice.