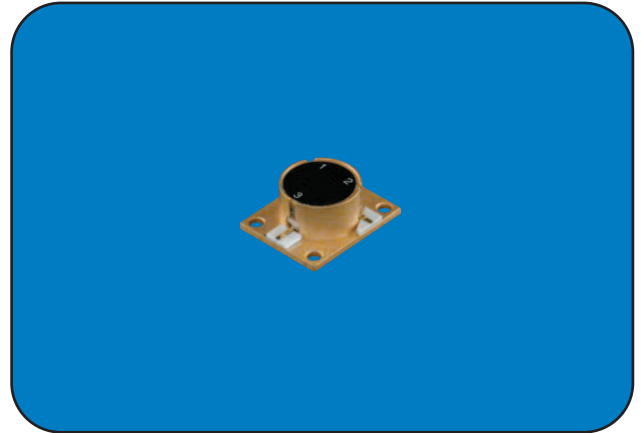


MICpuck™ Circulator



- Available in Frequencies From 1.0 GHz to 23 GHz
- Idea for High Reliability Applications
- Designed to Exceed Military and Space Environmental Requirements
- Compact, Rugged Construction, Magnetically Shielded
- Alumina Substrate Wire/Ribbon Bonding Interface
- Custom Engineered Solutions Available



Broadband MICpuck™ Circulator Capabilities

FREQUENCY (GHz)	MODEL NUMBER	ISOLATION (dB) MIN	INS LOSS (dB) MAX	VSWR MAX	OPERATING TEMP(°C)	PWR HANDLING PK/AVG (W)	PACKAGE CODE
3.400 - 4.200	C3442/DG	17	0.60	1.30:1	-25 to +85	100 / 75	T3
10.500 - 13.000	C105130/DA	18	0.50	1.30:1	-25 to +85	50 / 20	T2

Narrowband MICpuck™ Circulator Capabilities

FREQUENCY (GHz)	MODEL NUMBER	ISOLATION (dB) MIN	INS LOSS (dB) MAX	VSWR MAX	OPERATING TEMP(°C)	PWR HANDLING PK/AVG (W)	PACKAGE CODE
1.000 - 1.050	C1010/DA	19	0.50	1.25:1	-25 to +85	75 / 50	T4
1.525 - 1.559	C1515/DC	20	0.50	1.25:1	-25 to +85	75 / 50	T4
2.020 - 2.190	C2021/DA	20	0.40	1.22:1	-25 to +85	75 / 50	T4
2.100 - 2.300	C2123/DE	20	0.50	1.25:1	-25 to +85	75 / 50	T4
2.300 - 2.500	C2325/DA	20	0.50	1.25:1	-25 to +85	75 / 50	T3
2.400 - 2.800	C2428/DA	20	0.50	1.25:1	-25 to +85	75 / 50	T3
2.500 - 2.900	C2529/DA	20	0.50	1.25:1	-25 to +85	75 / 50	T3
2.700 - 2.950	C2729/DC	20	0.50	1.25:1	-25 to +85	75 / 50	T3
2.900 - 3.300	C2933/DA	20	0.50	1.25:1	-25 to +85	75 / 50	T3
3.100 - 3.300	C3133/DA	20	0.50	1.25:1	-25 to +85	50 / 20	T3
3.400 - 3.800	C3438/DA	20	0.50	1.25:1	-25 to +85	50 / 20	T3
3.500 - 3.700	C3537/DA	20	0.50	1.25:1	-25 to +85	50 / 20	T3
3.600 - 4.200	C3642/DC	21	0.50	1.20:1	-25 to +85	50 / 20	T1
4.300 - 4.500	C4345/DA	21	0.50	1.20:1	-25 to +85	50 / 20	T1
4.400 - 4.800	C4448/DA	21	0.50	1.20:1	-25 to +85	50 / 20	T1
4.700 - 4.900	C4749/DA	20	0.50	1.20:1	-25 to +85	50 / 20	T1
5.400 - 5.900	C5459/DG	20	0.50	1.20:1	-25 to +85	50 / 20	T1
5.850 - 6.450	C5864/DD	20	0.50	1.20:1	-25 to +85	50 / 20	T1
5.900 - 6.200	C5962/DA	21	0.50	1.20:1	-25 to +85	50 / 20	T1
6.400 - 6.700	C6467/DA	20	0.50	1.20:1	-25 to +85	50 / 20	T1
6.650 - 7.350	C6673/DC	20	0.50	1.20:1	-25 to +85	50 / 20	T1

Specifications subject to change without notice.

Narrowband MICpuck™ Circulator Capabilities

FREQUENCY (GHz)	MODEL NUMBER	ISOLATION (dB) MIN	INS LOSS (dB) MAX	VSWR MAX	OPERATING TEMP (°C)	PWR HANDLING PK/AVG (W)	PACKAGE CODE
6.700 - 7.100	C6771/DC	18	0.60	1.20:1	-25 to +85	50 / 20	T1
7.100 - 7.300	C7173/DA	19	0.50	1.20:1	-25 to +85	50 / 20	T1
7.125 - 7.875	C7178/DC	18	0.50	1.20:1	-25 to +85	50 / 20	T1
7.200 - 7.400	C7274/DA	19	0.50	1.20:1	-25 to +85	50 / 20	T1
7.250 - 7.750	C7277/DA	18	0.50	1.20:1	-25 to +85	50 / 20	T1
7.400 - 7.600	C7476/DA	19	0.50	1.20:1	-25 to +85	50 / 20	T1
7.550 - 8.050	C7580/DA	19	0.50	1.20:1	-25 to +85	50 / 20	T1
7.825 - 8.475	C7884/DC	21	0.50	1.20:1	-25 to +85	50 / 20	T2
7.825 - 8.475	C7884/DE	21	0.50	1.20:1	-25 to +85	50 / 20	T2
8.050 - 8.250	C8082/DA	19	0.50	1.20:1	-25 to +85	50 / 20	T1
8.550 - 9.450	C8594/DA	18	0.60	1.30:1	-25 to +85	50 / 20	T2
9.400 - 9.900	C9499/DA	19	0.50	1.25:1	-25 to +85	50 / 20	T2
9.800 - 10.800	C980108/DA	18	0.60	1.30:1	-25 to +85	50 / 20	T2
10.700 - 11.700	C107117/DA	21	0.50	1.20:1	-25 to +85	50 / 20	T2
10.700 - 12.750	C107127/DA	20	0.50	1.20:1	-25 to +85	50 / 20	T2
11.000 - 13.000	C110130/DA	18	0.60	1.30:1	-25 to +85	50 / 20	T2
11.400 - 11.700	C114117/DB	20	0.50	1.25:1	-25 to +85	50 / 20	T2
11.700 - 12.700	C117127/DC	21	0.50	1.20:1	-25 to +85	50 / 20	T2
12.700 - 13.800	C127138/DC	21	0.50	1.20:1	-25 to +85	50 / 20	T2
13.100 - 14.700	C131147/DA	18	0.60	1.30:1	-25 to +85	50 / 20	T2
13.400 - 15.000	C134150/DA	18	0.60	1.30:1	-25 to +85	50 / 20	T2
14.000 - 14.500	C140145/DA	21	0.50	1.20:1	-25 to +85	50 / 20	T2
17.100 - 17.900	C171179/DA	17	0.80	1.40:1	-25 to +85	50 / 20	T2
17.300 - 18.500	C173185/DE	21	0.50	1.20:1	-25 to +85	50 / 20	T2
17.800 - 19.000	C178190/DA	21	0.50	1.20:1	-25 to +85	50 / 20	T2
18.100 - 19.100	C181191/DA	19	0.60	1.25:1	-25 to +85	50 / 20	T2
18.800 - 20.200	C188202/DA	20	0.60	1.20:1	-25 to +85	50 / 20	T2
19.500 - 20.500	C195205/DA	19	0.50	1.25:1	-25 to +85	50 / 20	T2
20.000 - 20.600	C200206/DA	21	0.60	1.20:1	-25 to +85	50 / 20	T2
20.200 - 21.200	C202212/DA	21	0.60	1.20:1	-25 to +85	50 / 20	T2
21.000 - 23.000	C210230/DA	19	0.60	1.25:1	-25 to +85	50 / 20	T2

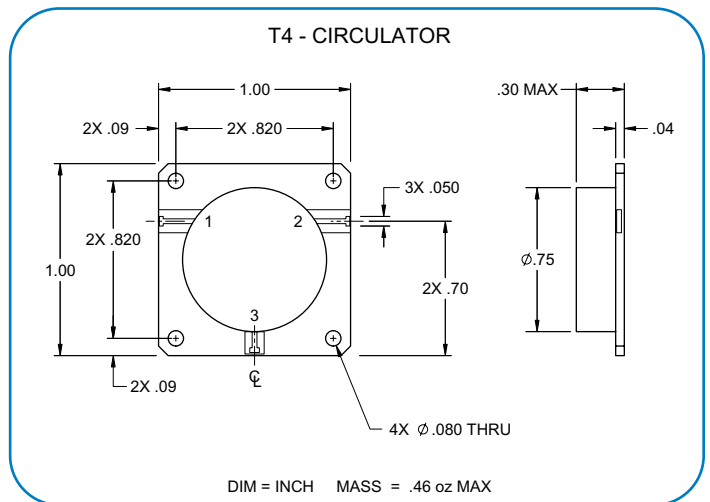
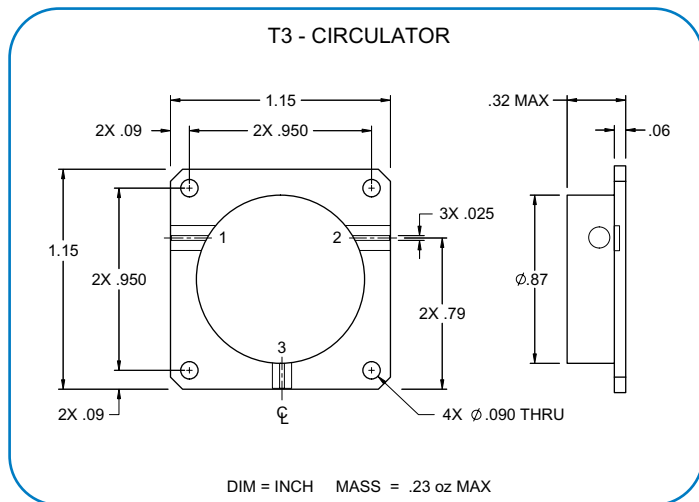
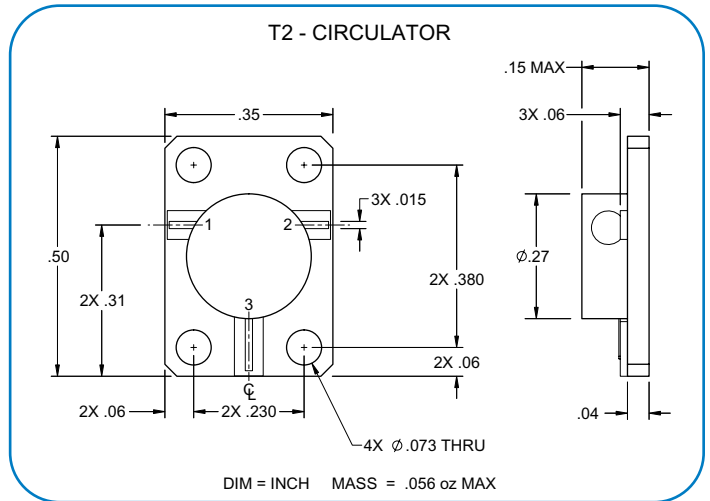
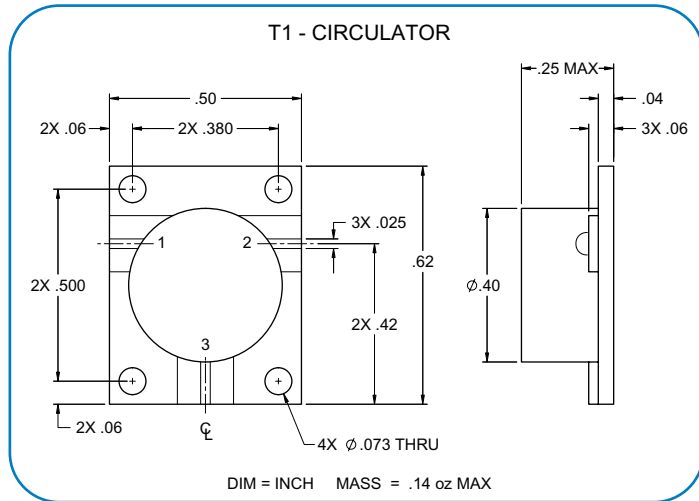
Select-A-Frequency MICpuck™ Circulator Capabilities

Refer to page 50 for Select-A-Frequency Instructions.

CENTER FREQUENCY (GHz)	MODEL NUMBER	BANDWIDTH (%)	ISOLATION (dB) MIN	INS LOSS (dB) MAX	VSWR MAX	OPERATING TEMP (°C)	PWR HANDLING PK/AVG (W)	PACKAGE CODE
4.000 - 8.000	C4080/S*D	10%	19	0.70	1.30:1	-25 to +85	50 / 20	T1
8.000 - 12.000	C800120/S*D	10%	17	0.70	1.25:1	-25 to +85	50 / 20	T2
12.000 - 18.000	C120180/S*C	10%	17	0.80	1.35:1	-25 to +85	50 / 20	T2

Specifications subject to change without notice.

MICpuck™ Circulators Package Drawings



Specifications subject to change without notice.