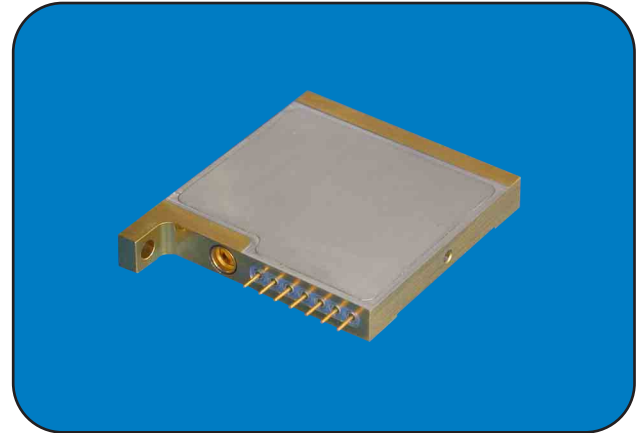


Multi-Function Assemblies  
Switch Assembly, Ku-Band  
Model: MFS134



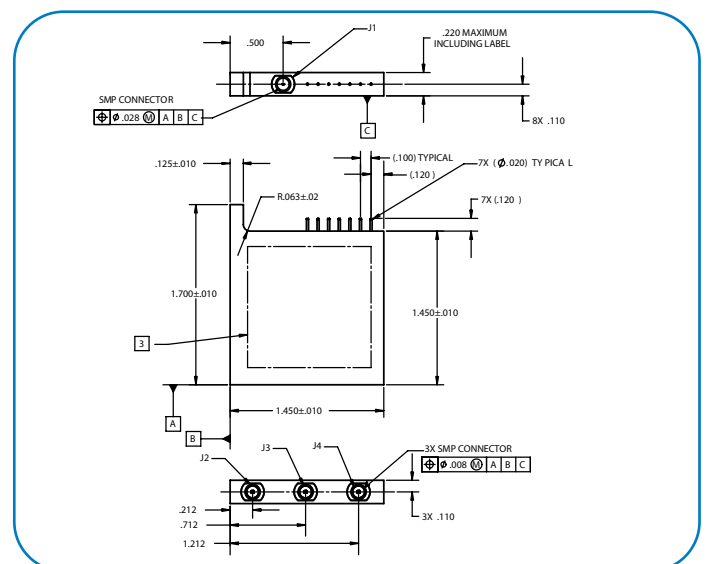
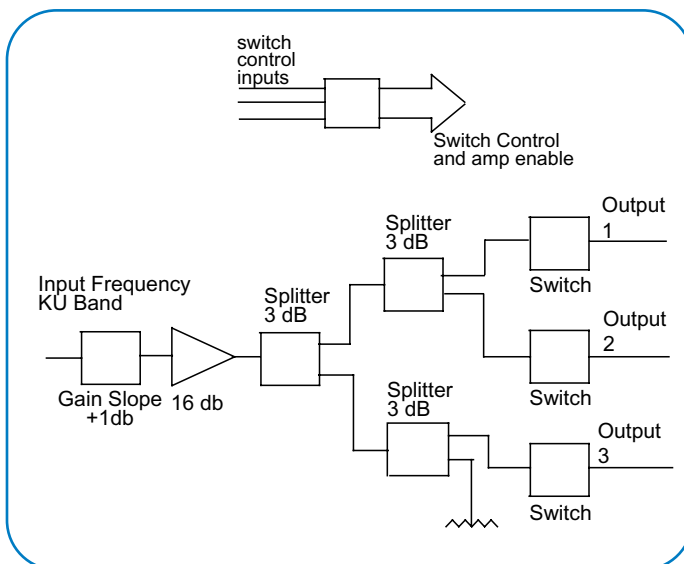
**Features:**

- Controlled Gain Slope
- Compact Outline
- Operating Frequency and Gain Can be Customized
- SMP Connectors



**Electrical Specifications**

Operating Frequency:	Ku-Band
Input/Output VSWR:	<1.5:1
Noise Figure @ 25°C:	6 dB (maximum)
Gain @ 14.875 GHz:	5.2 dB ± 0.5 dB @ 25°C
Output Port Isolation with all ports on:	18 dB (minimum)
Typical Operating Input RF Power Levels:	-14 to -40 dBm
Power Consumption:	≤ 0.5 Watts
SP2T Switch Isolation:	≥ 30 dB
Supply Voltage	+5, -5 VDC, RTN
RF Connectors:	SMP Male
Module Switching Speed:	20 nSec Typical
Size (WxLxH):	1.45" X 1.7" X 0.220"
Weight:	35 gms (maximum)



Specifications subject to change without notice.